

FM-200[®] Component Description



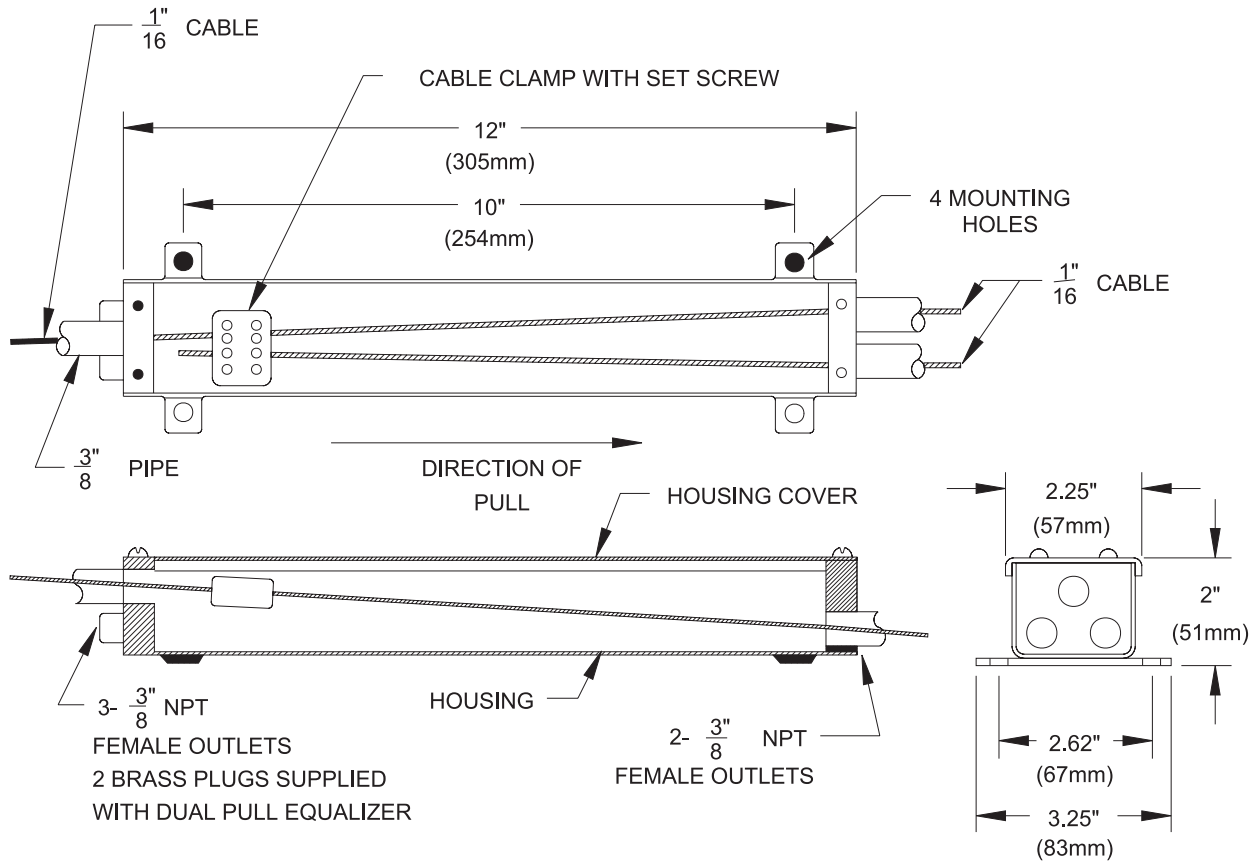
A UTC Fire & Security Company

Dual Pull Mechanism

F-93-6100

FEATURES

- For use with UL Listed, ULC Listed & FMRC Approved Systems



USE $\frac{3}{32}$ " HEX KEY FOR CABLE
PULLEY SET SCREWS.

P/N: 840058

FM-200 is a Registered Trademark of Great Lakes Chemical Corporation.

This literature is provided for informational purposes only. KIDDE-FENWAL, INC. assumes no responsibility for the product's suitability for a particular application. The product must be properly applied to work correctly. If you need more information on this product, or if you have a particular problem or question, contact KIDDE-FENWAL, INC., Ashland, MA 01721. Telephone: (508) 881-2000.

Fenwal Protection Systems
A UTC Fire & Security Company
400 Main Street
Ashland, MA 01721
Ph: 508.881.2000
Fax: 508.881.8920
www.fenwalfire.com