

# Series 1930 Suppression System Abort Station



A UTC Fire & Security Company

F-30-050

## FEATURES

- UL Listed, File # S3743
- Flush or Surface Mount
- Sized for Double Gang Box
- Large Yellow Push Button Switch
- One Normally Open Contact

## DESCRIPTION

The Fenwal Series 1930 Abort Station features a large, easy-to-operate abort push button. The momentary type switch is very easy to see due to its highly visible yellow color. The abort station stainless steel faceplate is clearly labelled with operation procedures—eliminating indecision and hesitation.

The Backbox is painted with red enamel and is provided with four 1/2-inch knockouts. The pre-drilled and tapped mounting tabs allow for easy attachment of the abort station.

## TECHNICAL SPECIFICATIONS

### Electrical Ratings:

One normally open momentary contact rated 2.5 Amps @ 120 Vdc

### Ambient Temperature:

-13°F to 158°F (-25°C to 70°C)

### Terminals:

Captive screws and saddle clamps accept 14 AWG to 24 AWG wire

### Mounting:

Four 6-32 x 1/2-inch mounting screws included

## ORDERING INFORMATION

Part Number	Description	Shipping Weight
30-193000-001	Abort Station	2 lb. (.9 kg)
30-193000-002	Abort Station with Backbox	3 lb. (1.4 kg)
30-193000-003	Backbox	1 lb. (.45 kg)

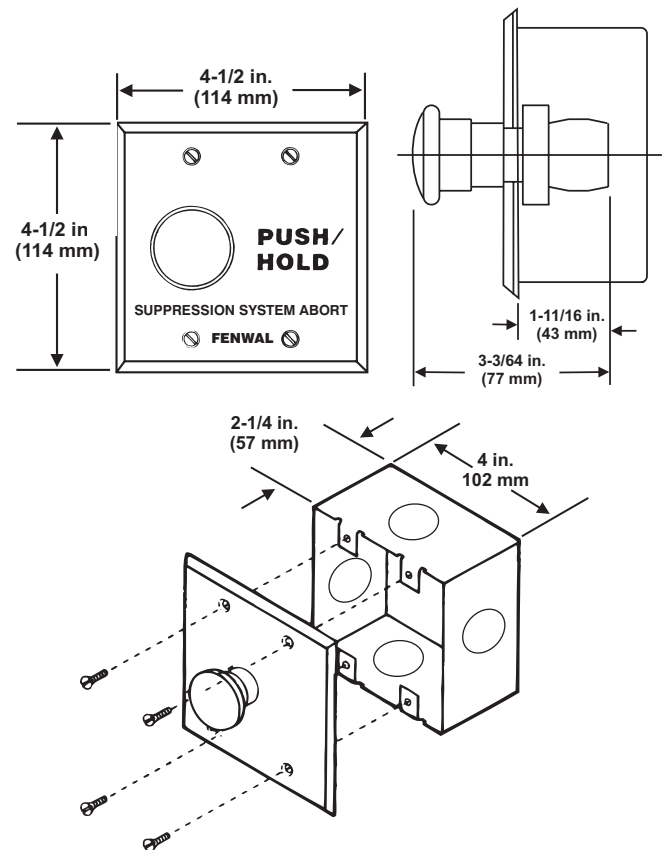


Figure 1. Dimension Details

This literature is provided for informational purposes only. KIDDE-FENWAL, INC. assumes no responsibility for the product's suitability for a particular application. The product must be properly applied to work correctly. If you need more information on this product, or if you have a particular problem or question, contact KIDDE-FENWAL, INC., Ashland, MA 01721. Telephone: (508) 881-2000.