



A Tyco International Company

## High Pressure Carbon Dioxide

## Discharge Nozzle – 4 in. Multi-Discharge Type

### Description

The 4 in. multi-discharge nozzle is used only for total flooding applications. The nozzle insert is brass and the remainder of the nozzle is steel; the nozzle is painted red. The

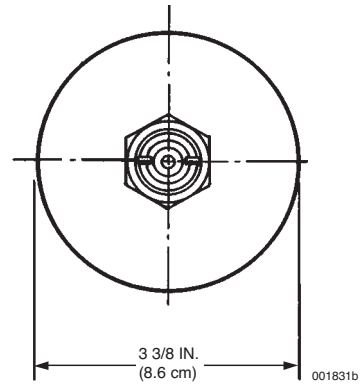
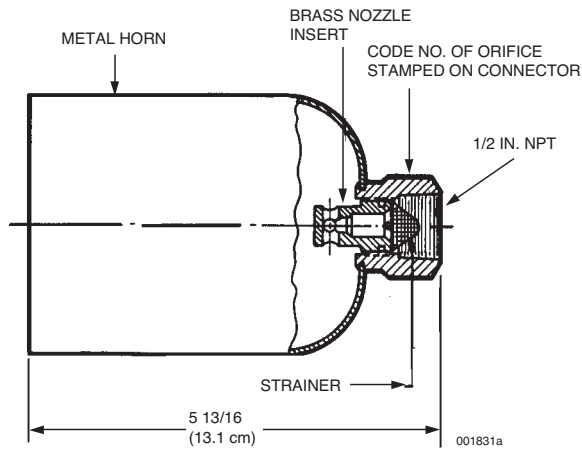
nozzle is available in orifice sizes ranging from 2 through 18. The discharge rate of the nozzle depends on the orifice size and the nozzle pressure.

Component	Material	Shell Finish	Thread Size/Type	Orifice Size	Approvals
4 in. MD Nozzle w/Strainer	Nozzle: Steel Insert: Brass	Red Enamel	1/2 in. NPT Female	2 through 4.5	UL (EX-2968); Listed for use with FM Approved systems
4 in. MD Nozzle	Nozzle: Steel Insert: Brass	Red Enamel	1/2 in. NPT Female	5 through 10	UL (EX-2968); Listed for use with FM Approved systems
4 in. MDL Nozzle	Nozzle: Steel Insert: Brass	Red Enamel	3/4 in. NPT Female	8 through 18	UL (EX-2968); Listed for use with FM Approved systems

Shipping Assembly Part No.	Description	Orifice Code
426106	4 in MD nozzle with strainer	2 – 4.5
426107	4 in MD nozzle	5 – 10
426108	4 in MD nozzle	8 – 18

**Note:** When ordering, specify orifice code required: Example – Part No. 426107 – 6.5.

**Multi-Discharge Nozzle – 4 MD with Strainer**



**Multi-Discharge Nozzle – 4 MD and 4 MDL**

