



A Tyco International Company

## High Pressure Carbon Dioxide

## Discharge Nozzle – 6 in. Multi-Discharge Type

### Description

The 6 in. multi-discharge nozzle is used primarily for local application and it is also listed and approved for use as a total flooding nozzle. The nozzle insert is brass and the remainder of the nozzle is steel; the nozzle is painted red. The nozzle is available in orifice sizes ranging from 2 through 18. The discharge rate of the nozzle depends on the orifice size and the nozzle pressure. The area covered

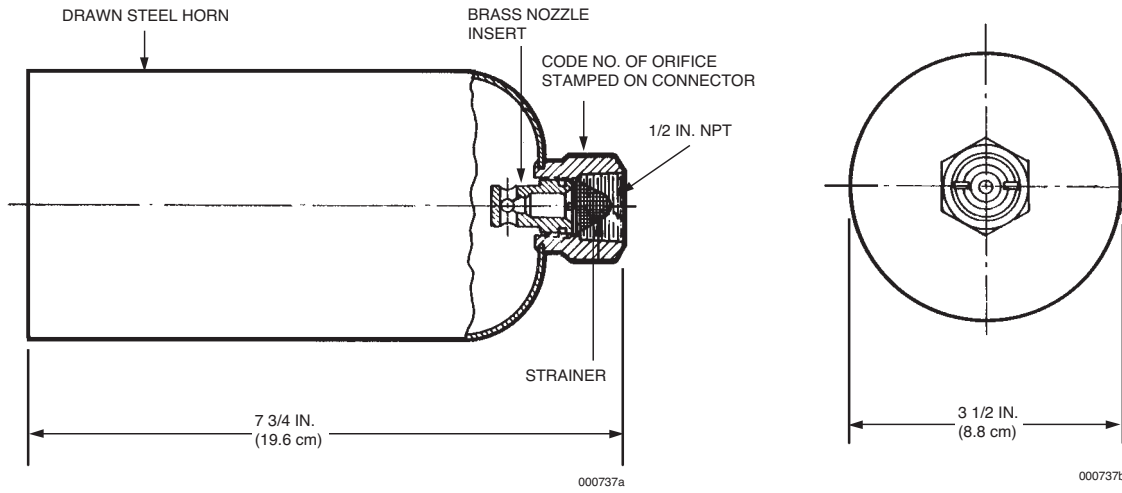
in local application is dependent upon the discharge rate and the height above the surface being protected. Height range: 36 to 144 in. (91 to 366 cm). Discharge rate: 28.5 to 108 lb per minute (13 to 49 kg per minute). See carbon dioxide design manual for area coverage and required flow rates.

Component	Material	Shell Finish	Thread Size/Type	Orifice Size	Approvals
6 in. MD Nozzle w/Strainer	Nozzle: Steel Insert: Brass	Red Enamel	1/2 in. NPT Female	2 through 4.5	UL (EX-2968); Listed for use with FM Approved systems
6 in. MD Nozzle	Nozzle: Steel Insert: Brass	Red Enamel	1/2 in. NPT Female	5 through 10	UL (EX-2968); Listed for use with FM Approved systems
6 in. MDL Nozzle	Nozzle: Steel Insert: Brass	Red Enamel	3/4 in. NPT Female	8 through 18	UL (EX-2968); Listed for use with FM Approved systems

Shipping Assembly Part No.	Description	Orifice Code
426109	6 in MD nozzle with strainer	2 – 4.5
426110	6 in MD nozzle	5 – 10
426111	6 in MDL nozzle	8 – 18

**Note:** When ordering, specify orifice code required: Example – Part No. 426111 – 17.5.

**Multi-Discharge Nozzle – 6 MD with Strainer**



**Multi-Discharge Nozzle – 6 MD and 6 MDL**

