

## High Pressure Carbon Dioxide

## HF Electric Actuator/Booster Actuator

### Description

Electrical actuation of an agent cylinder is accomplished by an HF electric actuator interfaced through an AUTOPULSE Control System. This actuator can be used in hazardous environments where the ambient temperature range is between  $-65^{\circ}\text{F}$  to  $130^{\circ}\text{F}$  ( $-54^{\circ}\text{C}$  to  $54^{\circ}\text{C}$ ). The HF electric actuator meets the requirements of N.E.C. Class I, Div. 1, Groups B, C, D and Class II, Div. 1, Groups E, F, G. A maximum of two HF electric actuators connected in series can be used on a single 24 VDC AUTOPULSE release circuit. When utilizing only one HF electric actuator, an in-line resistor (Part No. 73606) must be used in place of the second actuator in the series connected circuit.

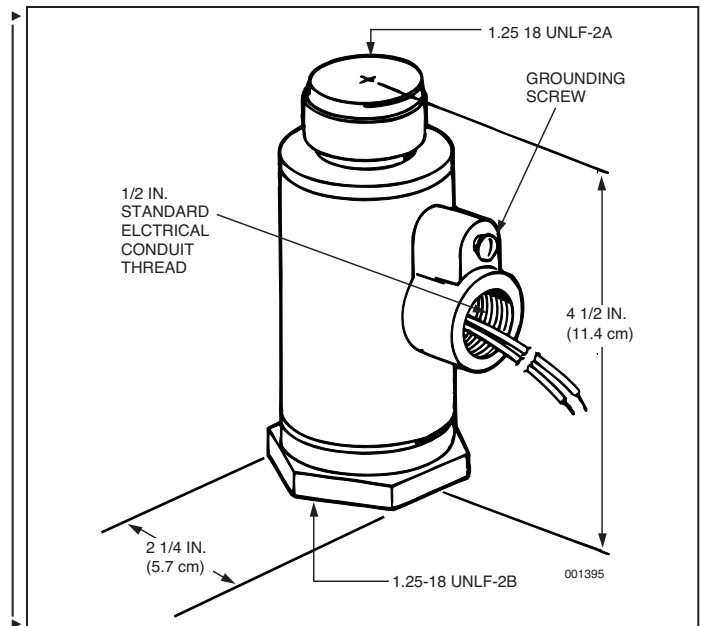
The actuator specifications (single actuator) are:

Nominal Voltage	Rated Voltage	
	Minimum	Maximum
12 VDC @ 0.57 amps	10.4 VDC*	14.0 VDC

In auxiliary or override applications, a lever release valve actuator (Part No. 70846) can be installed on top of the HF electric actuator by removing the safety cap.

The actuator contains a standard 1/2 in. threaded female straight connector for electrical conduit hookup. A reset tool is required to reset the actuator after operation.

Shipping Assembly Part No.	Description
73327	HF Electric Actuator
75433	HF Reset Tool
73886	In-Line Resistor Shipping Assembly



Component	Material	Thread Size/Type	Approvals
HF Electric Actuator	Body: Brass Plunger: Stainless Steel	1/2 in. Straight Female	UL (EX-2968); Listed for use with FM Approved systems

\*Minimum operating voltage is 9.0 VDC.

### Description

The Booster Actuator, Part No. 428949, is used when electric actuation is required on the selector valve or the CV-98 cylinder valve. The actuator mounts directly to the CV-98 valve or selector valve and then a HF electric actuator mounts to the top of the booster actuator.

The Booster Actuator requires resetting after actuation. A Reset Tool, Part No. 429847, is required for this use, the actuator cannot be reset without it.

