

High Pressure Carbon Dioxide

Lock Handle Stop Valve

Description

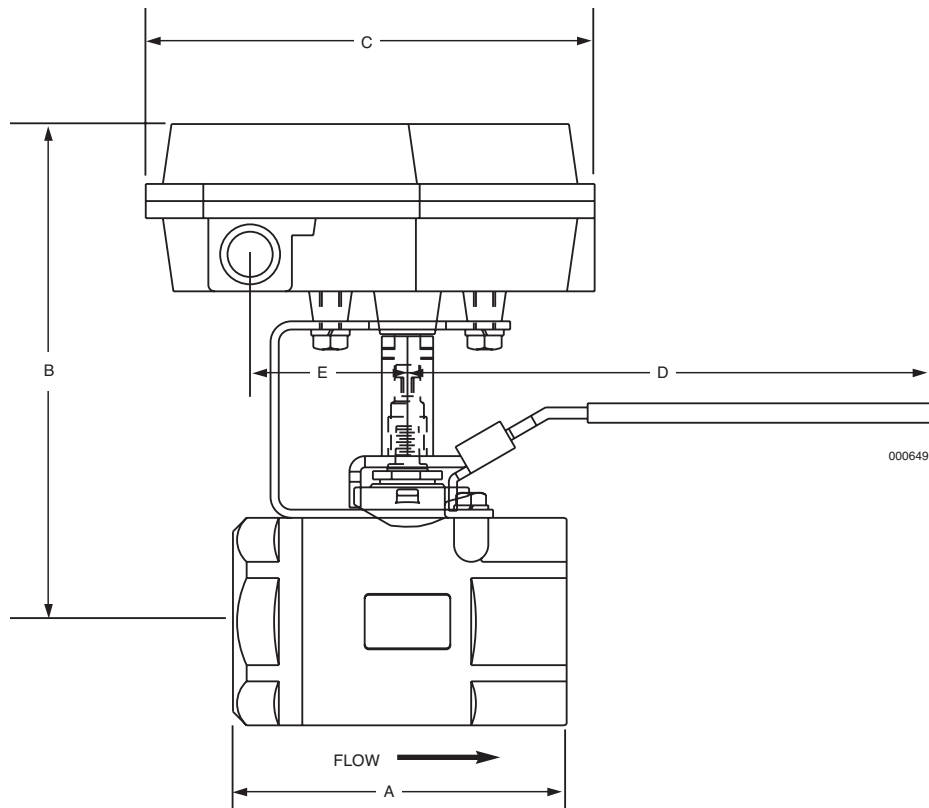
- ▶ The lock handle stop valve is a manually operated ball valve
- ▶ installed in various locations of the piping system. The valve is used to inhibit the discharge of CO₂ into an entire system
- ▶ or a specific area of a system when maintenance of the
- ▶ system or entry into the protected space is required. The valve is equipped with a slide locking device to padlock the
- ▶ valve in the open or closed position. Each valve is equipped
- ▶ with two monitoring switches to provide constant supervision of the valve at the control panel with contacts for the open and closed positions. Install warning sign, Part No. 428974, in easily visible location near valve.

Approvals

- UL (EX2968)
- ▶ Listed for use with FM Approved systems

Valve Material

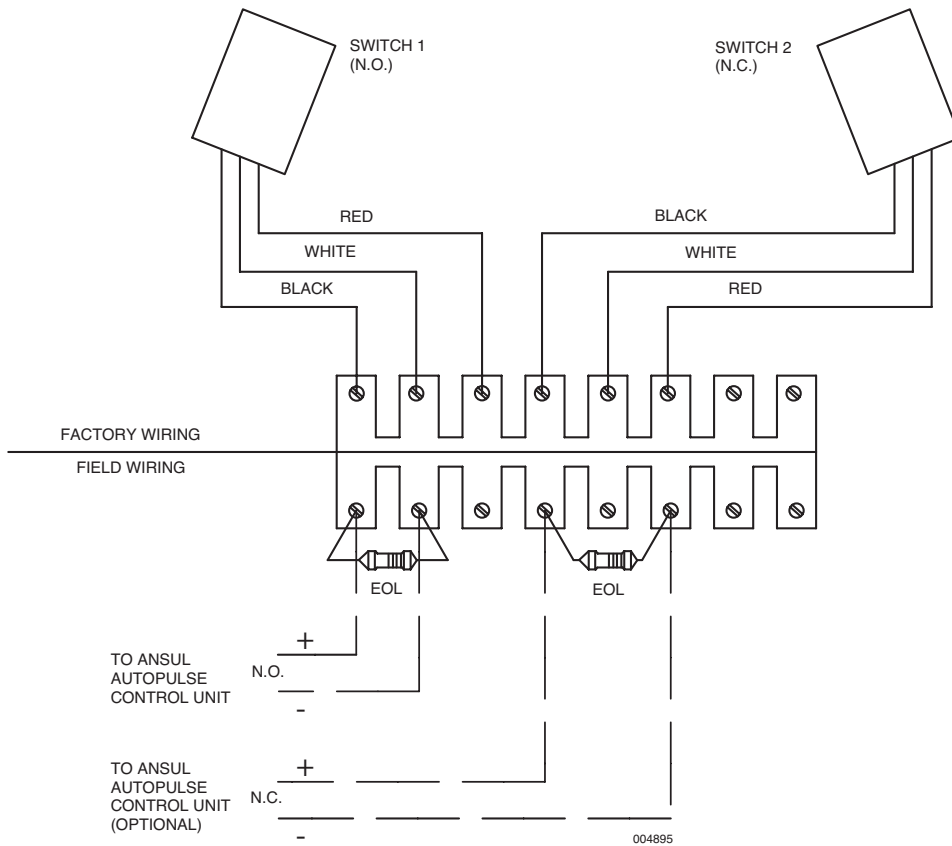
- 316 SS Body, ball, and stem reinforced Teflon seats and seals
- ▶ Tamperproof latch locking SS handle



000649

		Dimensions											
Size	Part No.	A		B		C		D		E		Weight	
		in.	(mm)	in.	(mm)	in.	(mm)	in.	(mm)	in.	(mm)	lb	(kg)
1/2"	428153	2.36	(60)	7.07	(179)	6.56	(167)	4.19	(106)	2.3	(58)	6	(2.7)
3/4"	428154	2.80	(71)	7.25	(184)	6.56	(167)	5.75	(146)	2.3	(58)	7	(3.2)
1"	428155	3.23	(82)	7.41	(188)	6.56	(167)	5.75	(146)	2.3	(58)	7	(3.2)
1 1/4"	428156	3.62	(92)	7.55	(192)	6.56	(167)	7.63	(194)	2.3	(58)	8	(3.6)
1 1/2"	428157	4.06	(103)	7.75	(197)	6.56	(167)	7.63	(194)	2.3	(58)	9	(4.1)
2"	428158	4.65	(118)	8.02	(204)	6.56	(167)	7.63	(194)	2.3	(58)	11	(5.0)

Depth: 6 in. (152 mm)



CARBON DIOXIDE SYSTEM LOCK-OUT VALVE

VALVE MUST BE CLOSED AND LOCKED PRIOR TO ENTRY OF PROTECTED SPACE

NOTIFY PROPER PERSONNEL PRIOR TO CLOSING VALVE (TROUBLE ALARM WILL SOUND)

ALTERNATE FIRE PROTECTION MUST BE PROVIDED WHILE THIS VALVE IS CLOSED

VALVE MUST BE RESET AFTER EXIT FROM PROTECTED SPACE TO RETURN PROTECTION AND ALARM SYSTEMS TO STAND-BY STATUS



WARNING

CARBON DIOXIDE DOES NOT SUPPORT LIFE. FAILURE TO LOCK-OUT THE CARBON DIOXIDE SYSTEM BY CLOSING AND LOCKING THIS VALVE BEFORE ENTRY INTO THE PROTECTED SPACE MAY CAUSE INJURY OR DEATH IF THE SYSTEM ACTUATES.

TYCO FIRE PROTECTION PRODUCTS, MARINETTE, WI 54143-2542

LABEL NO. 428974