

## High Pressure Carbon Dioxide

### Manual Pull Box

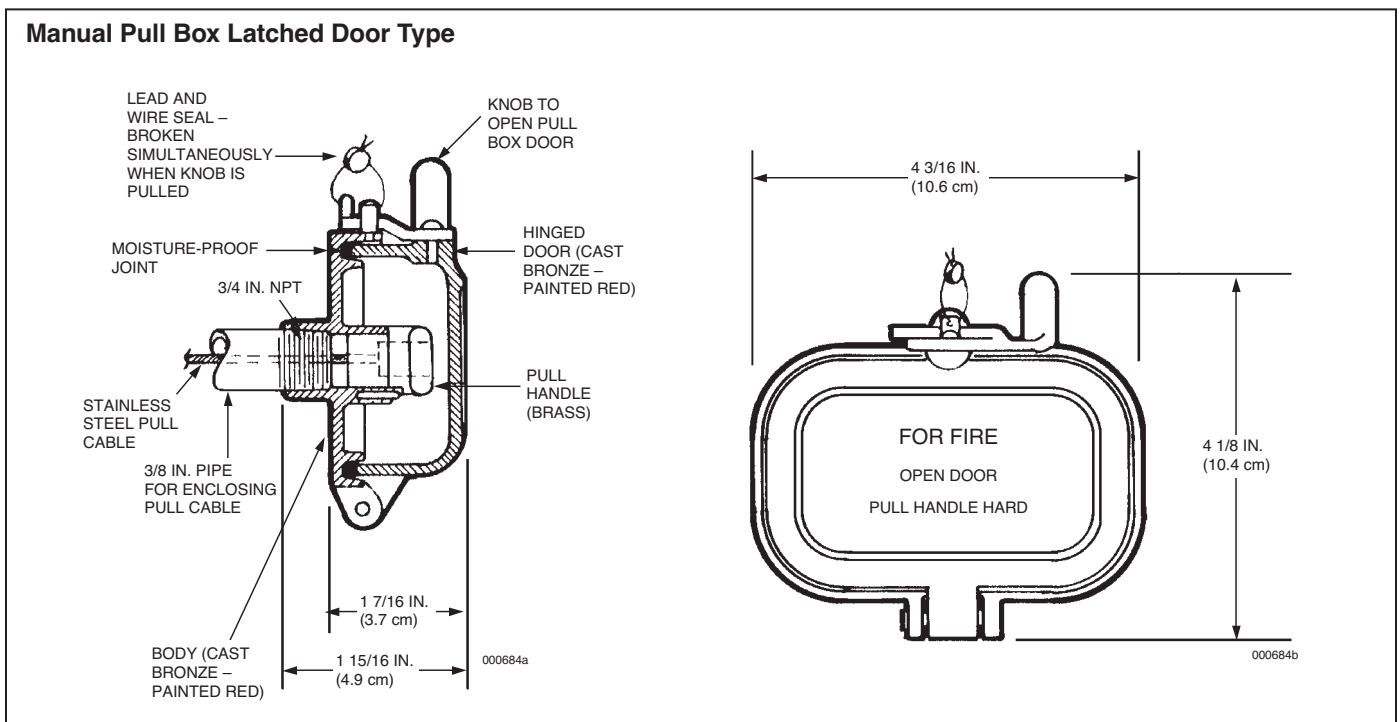
#### Description

The pull box on a carbon dioxide system is used to provide mechanical release of the system or directional valve from a manually operated remote station. Two types of pull boxes are available. The latched door type has a solid cast brass door which must be opened to reach the pull handle. The second type has a break glass window and a spring mounted handle which rotates forward for use when the glass is broken. A 3/8 in. female NPT opening is provided at the back of each enclosure for connection of the cable housing. Both types are painted red.

A pulley elbow may be attached directly to the back of the pull box, if necessary, to provide immediate changes in pull cable direction. With this option, the pull box can be extended an additional 3 1/2 in. from the mounting surface by using support legs attached to the back of the pull box (one set for latched door type, two sets for break-glass type).

Component	Material	Approvals
Latched door pull box	Brass	UL (EX-2968); Listed for use with FM Approved systems
Break glass window pull box	Brass	UL (EX-2968); Listed for use with FM Approved systems

Shipping Assembly Part No.	Description
45062	Latched door type pull box
41527	Break-glass window pull box
41542	Support legs
40209	Glass Window (Type A)



# Manual Pull Box Break Glass Type "A"

