



A Tyco International Company

High Pressure Carbon Dioxide

Quartzoid Bulb Actuator

Description

- ▶ The Quartzoid Bulb Actuator (QBA-5) is a self-contained, automatic actuating device designed to be mounted directly in the hazard area.
- ▶ It actuates the system pilot cylinder valves by supplying actuation pressure when the hazard temperature reaches the fixed rating of the quartzoid bulb and causes it to break, releasing the pressure in the actuator. The pressure is routed to the carbon dioxide cylinders through a maximum of 100 ft (30.5 m) of 1/8 in. pipe. The QBA-5 is available temperature ratings of 135, 175, and 250 °F (57, 79, and 121 °C).

The QBA-5 is a rugged, completely self-contained actuating device, well suited for rough environments.

The QBA-5 is available with or without a mounting bracket.

- ▶ The mounting bracket and cylinder are painted red.

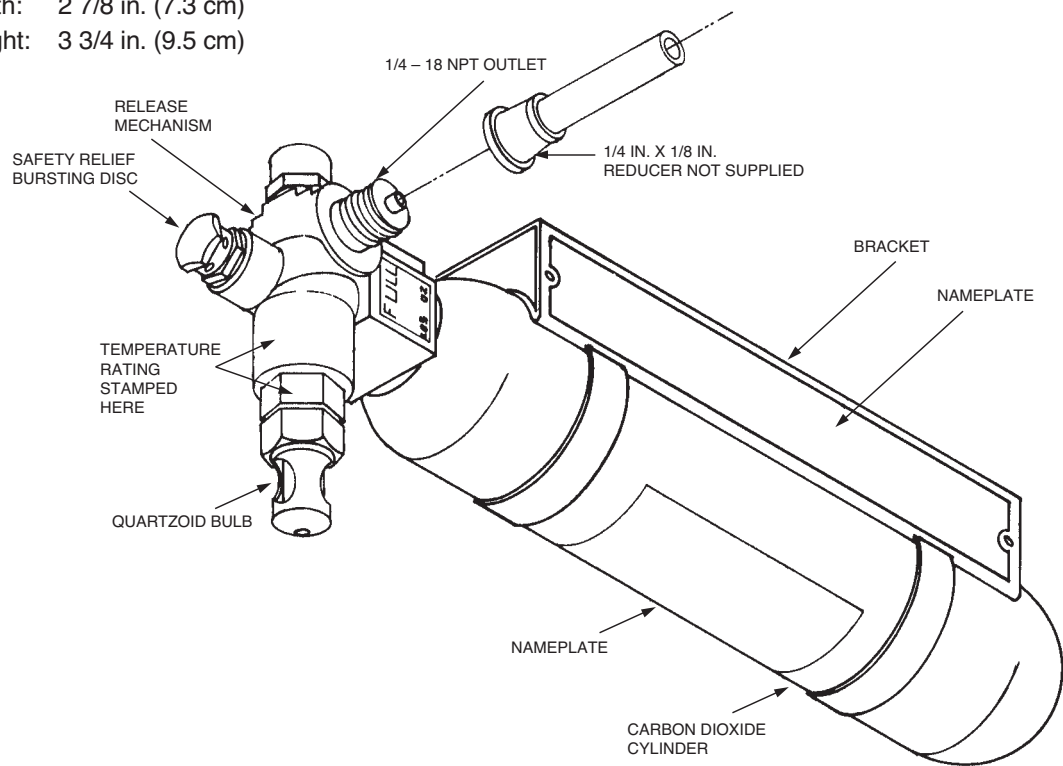
▶ **Note:** The Quartzoid Bulb Actuator is not part of the FM Approved system.

Component	Material	Thread Size/Type	Approvals
▶ QBA-5 135 °F (57 °C)	Cylinder: Steel Valve: Brass	1/4 in. NPT Male	UL (EX-2968)
QBA-5 175 °F (79 °C)	Cylinder: Steel Valve: Brass	1/4 in. NPT Male	UL (EX-2968)
▶ QBA-5 250 °F (121 °C)	Cylinder: Steel Valve: Brass	1/4 in. NPT Male	UL (EX-2968)

Shipping Assembly Part No.	Description
42267	QBA-5 – 135 °F (57 °C) with bracket
42274	QBA-5 – 175 °F (79 °C) with bracket
42276	QBA-5 – 250 °F (121 °C) with bracket
41893	QBA-5 – 135 °F (57 °C) without bracket
41894	QBA-5 – 175 °F (79 °C) without bracket
▶ 41895	QBA-5 – 250 °F (121 °C) without bracket
41651	Replacement Bulb – 135 °F (57 °C)
41657	Replacement Bulb – 175 °F (79 °C)
▶ 41659	Replacement Bulb – 250 °F (121 °C)

Component Dimensions

Length: 10 in. (25.4 cm)
Width: 2 7/8 in. (7.3 cm)
Height: 3 3/4 in. (9.5 cm)



001400