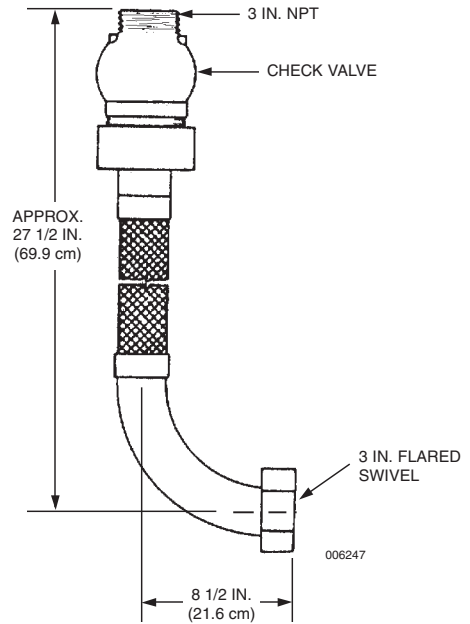


## 3 In. Discharge Hose/ Check Valve Assembly

The 3 in. discharge hose/check valve assembly combines the elbow, hose, check valve, and swivel coupling for connection to the valve discharge outlet and the discharge manifold. The check valve provides a 1 1/2 in. (3.8 cm) height adjustment.

Component	Material	Approvals
3 in. Discharge Hose/Check Valve	Hose: Double Braided Stainless Steel Elbow: Stainless Steel Valve Swivel Nut: Stainless Steel Check Valve Body: Cadmium Plated Mild Steel Check Valve Seal and Seat: Brass Spring: Stainless Steel	UL Listed ULC Listed FM Approved



Shipping Assembly Part No.	Description
69841	3 in. Discharge Hose/ Check Valve Assembly