

3-Inch Flexible Discharge Hose

P/N 06-118225-001



A UTC Fire & Security Company

F-93-9045

FEATURES

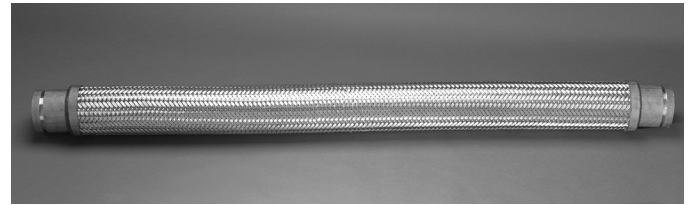
- Stainless Steel Braided
- Victaulic Fittings
- FM Approved
- UL Listed

DESCRIPTION

Stainless Steel flexible hose is used to connect the 3-inch valve cylinders (both the 600 and 900 lb. cylinders) to discharge piping. The hose has a victaulic fitting at the cylinder end and a 3-inch male groove fitting to connect to the piping.

INSTALLATION

The stainless steel flexible braid hose may be installed horizontally or with a 90 degree bend radius as shown in the diagram below.

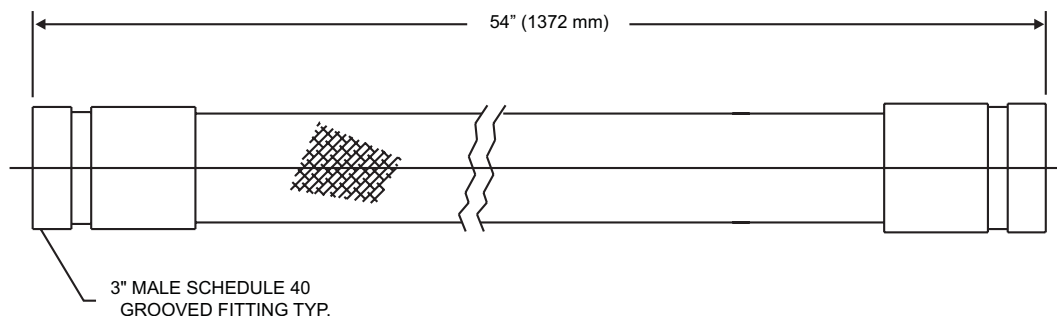


ORDERING INFORMATION

The part number for ordering the 3-inch flexible discharge hose is 06-118225-001.

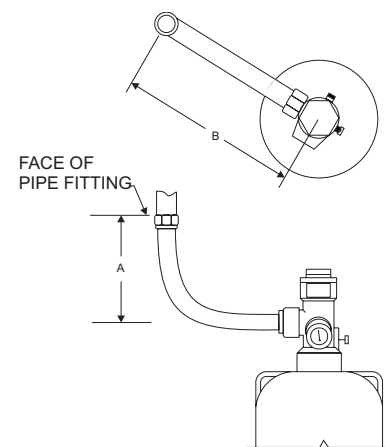
SPECIFICATION

Material:	Convuluted hose with stainless steel braid overlay
Working pressure:	500 psi (3.4 Mpa)
Proof pressure:	1000 psi (7.0 Mpa)
Burst pressure:	2000 psi (13.8 Mpa)



Dimensions			
A (in.)	A (mm)	B (in.)	A (mm)
33	838	36	914

Note: Dimensions A & B must be maintained in order to obtain a smooth radius in flexible loop. Hose may require adapter to connect to system piping.



This literature is provided for informational purposes only. KIDDE-FENWAL, INC. assumes no responsibility for the product's suitability for a particular application. The product must be properly applied to work correctly. If you need more information on this product, or if you have a particular problem or question, contact KIDDE-FENWAL, INC., Ashland, MA 01721. Telephone: (508) 881-2000.