

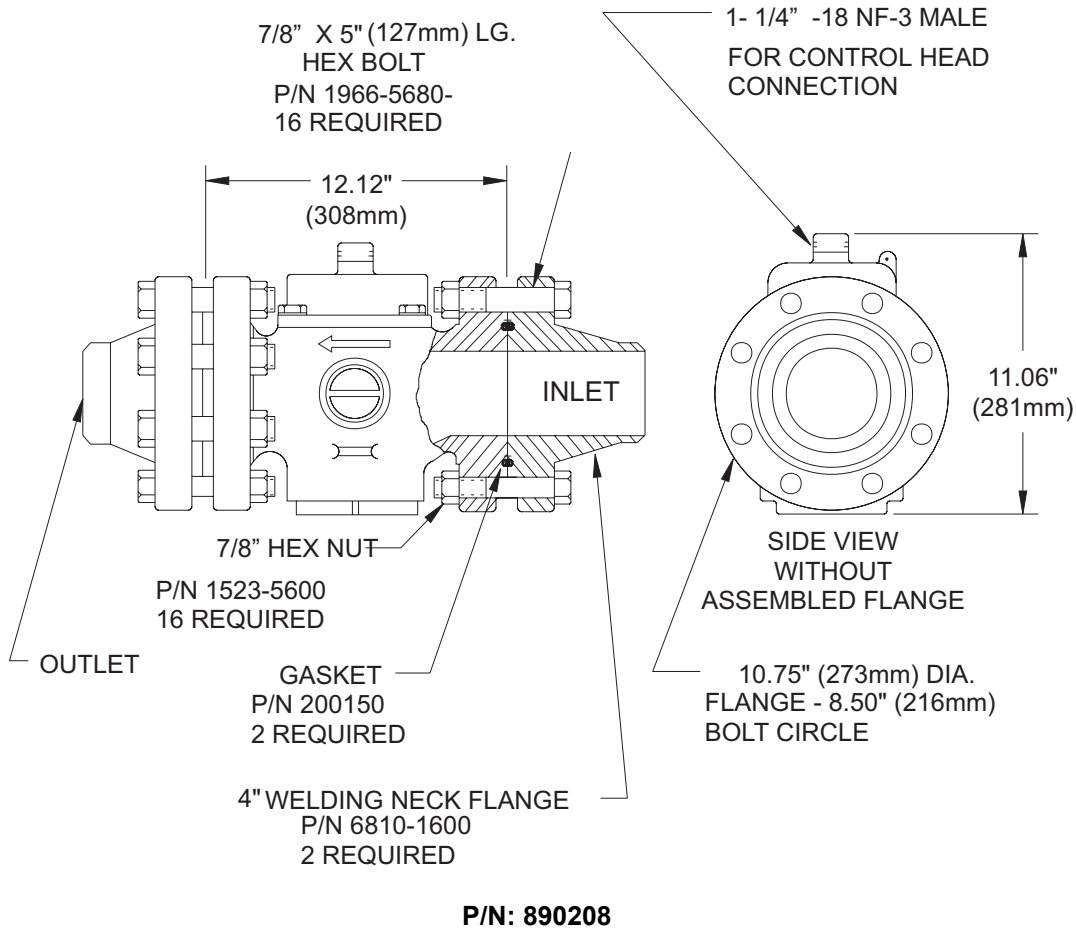
FM-200[®] Component Description

4-Inch Stop (Directional) Valve



A UTC Fire & Security Company

F-93-5150



MATERIALS

VALVE BODY: BRASS
GASKET: IRON
FLANGES, BOLTS, & NUTS: STEEL

Note: Valve must be installed with arrow pointing in direction of flow.

FM-200 is a Registered Trademark of Great Lakes Chemical Corporation.

This literature is provided for informational purposes only. KIDDE-FENWAL, INC. assumes no responsibility for the product's suitability for a particular application. The product must be properly applied to work correctly. If you need more information on this product, or if you have a particular problem or question, contact KIDDE-FENWAL, INC., Ashland, MA 01721. Telephone: (508) 881-2000.

Fenwal Protection Systems
A UTC Fire & Security Company
400 Main Street
Ashland, MA 01721
Ph: 508.881.2000
Fax: 508.881.8920
www.fenwalfire.com