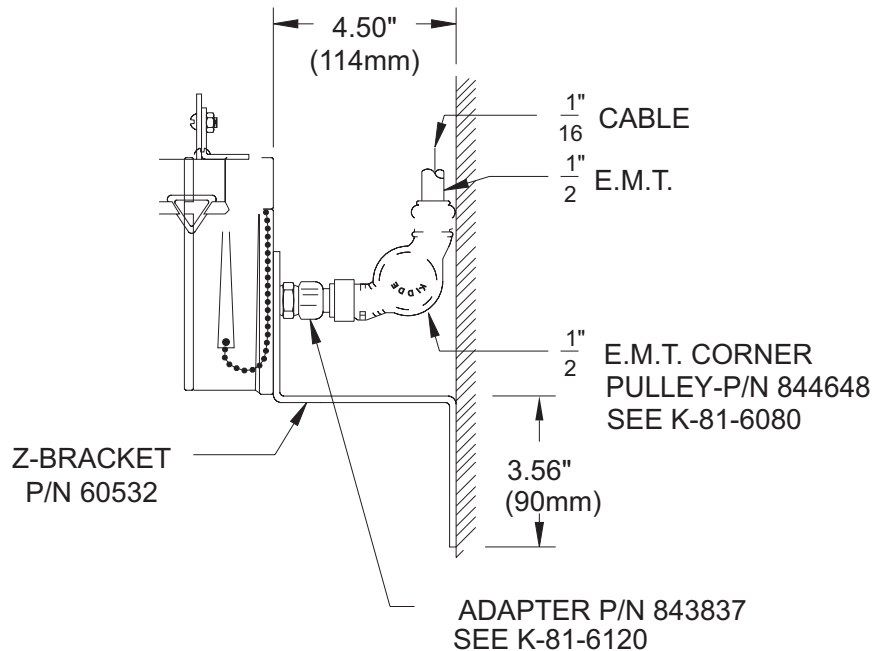
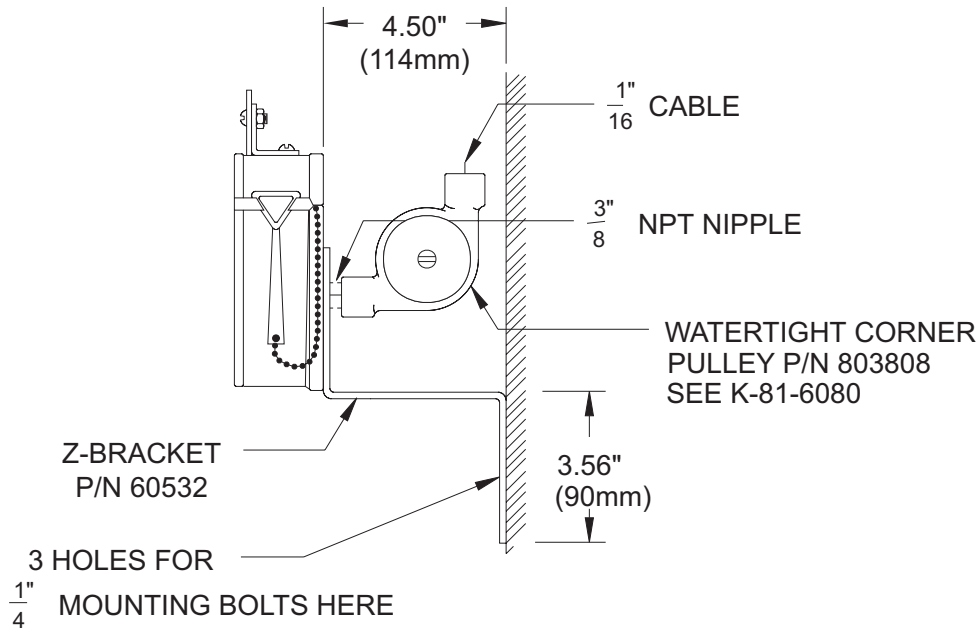


# CO<sub>2</sub> Component Description

## Break Glass Pull Box Used with Z-Bracket

Effective: February 2007  
**K-81-6041**



This literature is provided for informational purposes only. KIDDE-FENWAL, INC. assumes no responsibility for the product's suitability for a particular application. The product must be properly applied to work correctly. If you need more information on this product, or if you have a particular problem or question, contact KIDDE-FENWAL, INC., Ashland, MA 01721. Telephone: (508) 881-2000.