

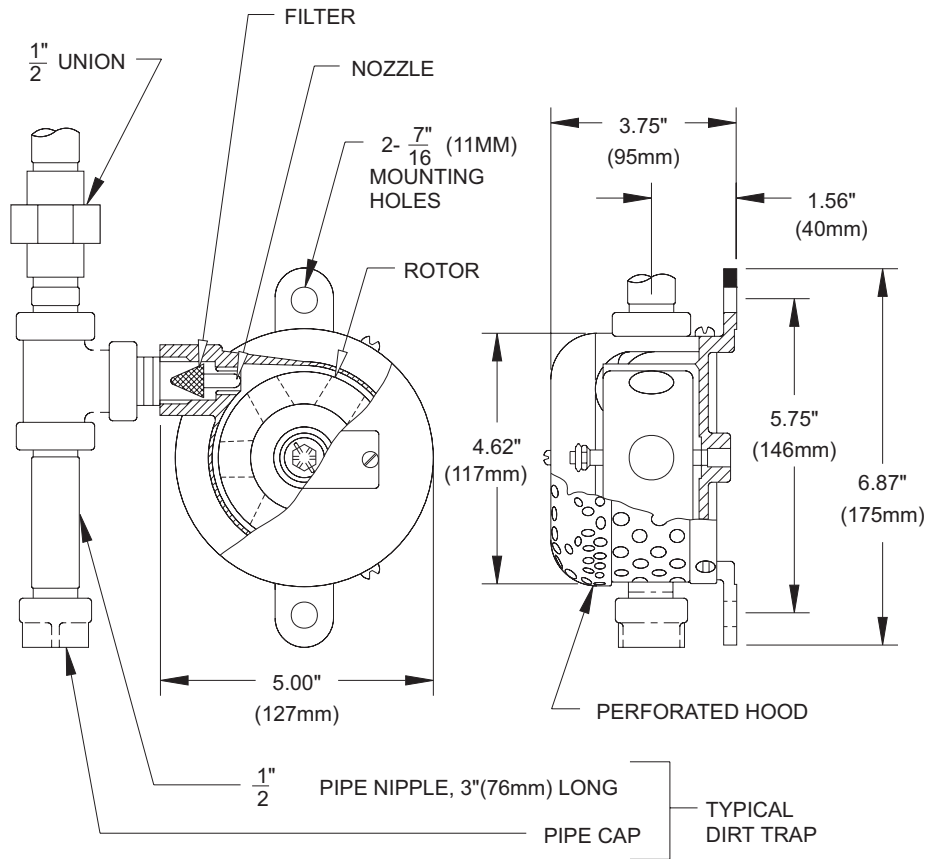
# CO<sub>2</sub> Component Description

## Pressure Operated Siren

Effective: February 2007  
K-81-5220

P/N: 981574

NOMINAL FLOW RATE AT 70 DEGREES	
CARBON DIOXIDE	20.4 LBS/MIN
HALON 1301	21.2 LBS/MIN



### MATERIALS

**BODY: BRONZE**

**ROTOR: BRASS**

**NOZZLE AND FILTER: MONEL**

**HOOD: STEEL**

**FINISH: RED PAINT**

This literature is provided for informational purposes only. KIDDE-FENWAL, INC. assumes no responsibility for the product's suitability for a particular application. The product must be properly applied to work correctly. If you need more information on this product, or if you have a particular problem or question, contact KIDDE-FENWAL, INC., Ashland, MA 01721. Telephone: (508) 881-2000.

Kidde Fire Systems  
A UTC Fire & Security Company  
400 Main Street  
Ashland, MA 01721  
Ph: 508.881.2000  
Fax: 508.881.8920  
[www.kiddefiresystems.com](http://www.kiddefiresystems.com)