

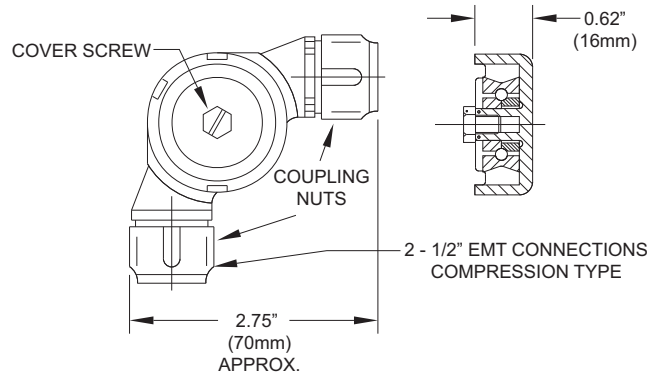
Component Description

1/2-IN EMT Corner Pulley Data Sheet

FEATURES

- For Agency Approvals, see the Table, "COMPATIBILITY".
- RoHS compliant

P/N: WK-844648-000



MATERIALS

Body: Aluminum

Internal Components: Zinc and Steel

COMPATIBILITY

Series	DIOM P/N
Kidde ECS 500 psi with FK-5-1-12 Agent	06-237585-001
Kidde ECS with 3M™ Novec™ 1230 Fire Protection Fluid	06-236553-001
Kidde ADS with 3M™ Novec™ 1230 Fire Protection Fluid	06-237256-001
Kidde ADS Marine with 3M™ Novec™ 1230 Fire Protection Fluid	06-237257-001
Kidde ECS with HFC-227ea Agent	06-236115-001
Kidde Modular ECS with HFC-227ea Agent	06-236116-001
Kidde Advanced Delivery with HFC-227ea Agent	06-235068-001
Kidde High Pressure CO ₂	81-CO2MAN-001
Kidde Fire Systems Marine Carbon Dioxide Version 2.4 DIOM	220610
Kidde 3M™ Novec™ 1230 (for UTC India Specifications)	06-237127-600
Kidde ECS with FM-200™ (for UTC India Specifications)	06-237298-001

EXPORT INFORMATION (USA)

Jurisdiction: EAR

Classification: EAR99

This document contains technical data subject to the EAR.

All trademarks are the property of their respective owners.

©2018 Kidde-Fenwal, Inc.

This literature is provided for informational purposes only. KIDDE-FENWAL, INC. believes this data to be accurate, but it is published and presented without any guarantee or warranty whatsoever. KIDDE-FENWAL, INC. assumes no responsibility for the product's suitability for a particular application. The fire suppression system design, installation, maintenance, service and troubleshooting must be performed by trained, authorized Kidde Fire Systems distributors for the product to work correctly. If you need more information on this product, or if you have a particular problem or question, contact KIDDE-FENWAL, INC., Ashland, MA 01721 USA. Telephone: (508) 881-2000.

Kidde Fire Systems
400 Main Street
Ashland, MA 01721
Ph: 508.881.2000
Fax: 508.881.8920
www.kiddefiresystems.com