

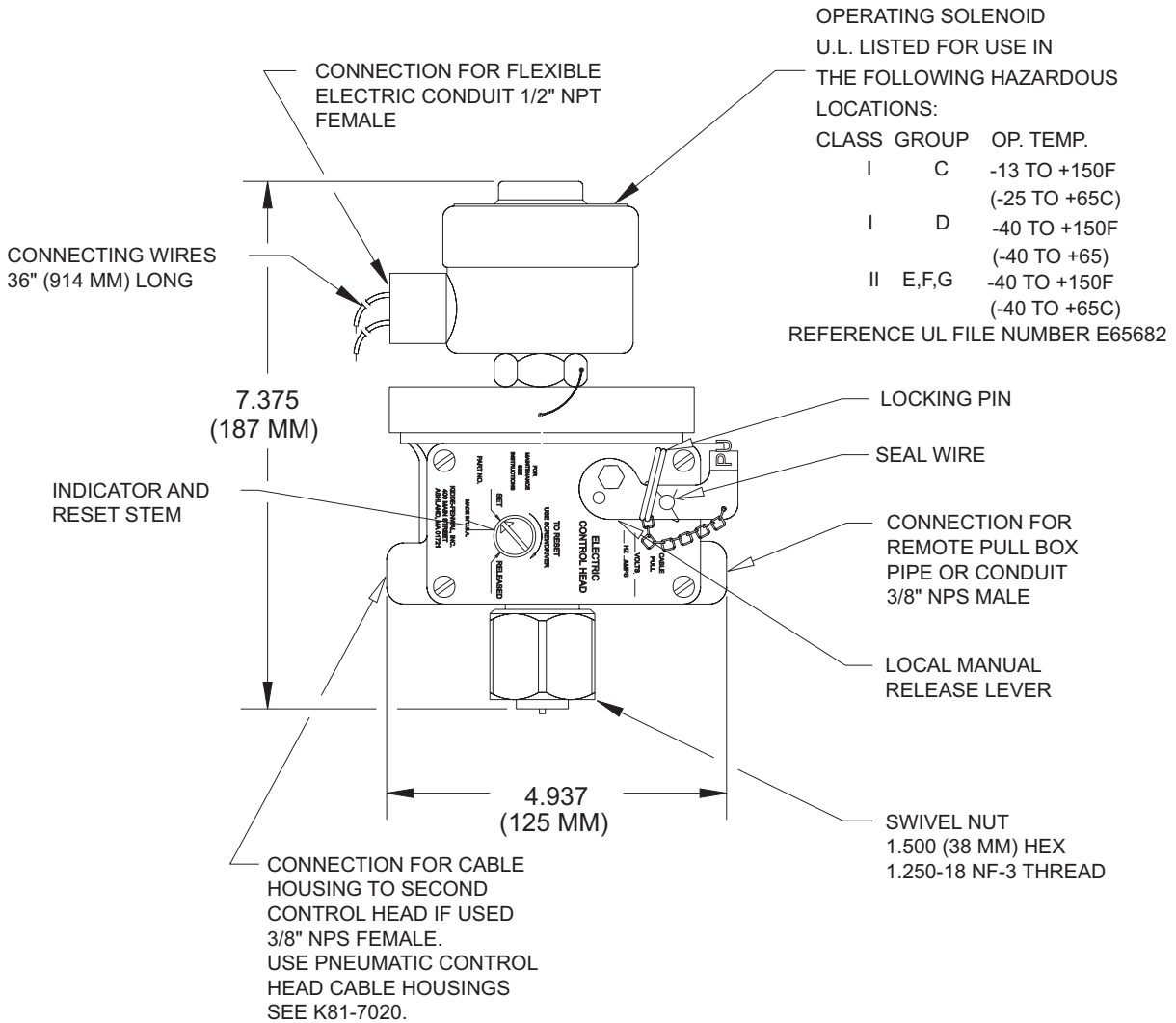
CO₂ Component Description



A UTC Fire & Security Company

Electric and Cable Operated Control Head with Explosion Proof Solenoid

Effective: February 2009
K-81-8040



ASSEMBLY PART NUMBER	CONTROL HEAD		
	VOLTAGE	POWER CONSUMPTION	SOLENOID PART NUMBER
WK-897494-000	24 VDC	36.2 WATTS	202-749-260563
WK-897560-000	120 VAC	15.4 WATTS	202-749-260562

This literature is provided for informational purposes only. KIDDE-FENWAL, INC. assumes no responsibility for the product's suitability for a particular application. The product must be properly applied to work correctly. If you need more information on this product, or if you have a particular problem or question, contact KIDDE-FENWAL, INC., Ashland, MA 01721. Telephone: (508) 881-2000.

Kidde Fire Systems
A UTC Fire & Security Company
400 Main Street
Ashland, MA 01721
Ph: 508.881.2000
Fax: 508.881.8920
www.kiddefiresystems.com