

CO₂ Component Description

Electric and Cable Operated Control Head with ATEX Explosion-Proof Solenoid

Effective: April 2016
K-81-8050 Rev AC

P/N: 81-897494-001

FEATURES

- ATEX Approved. Ref. Directive: 94/9/CE

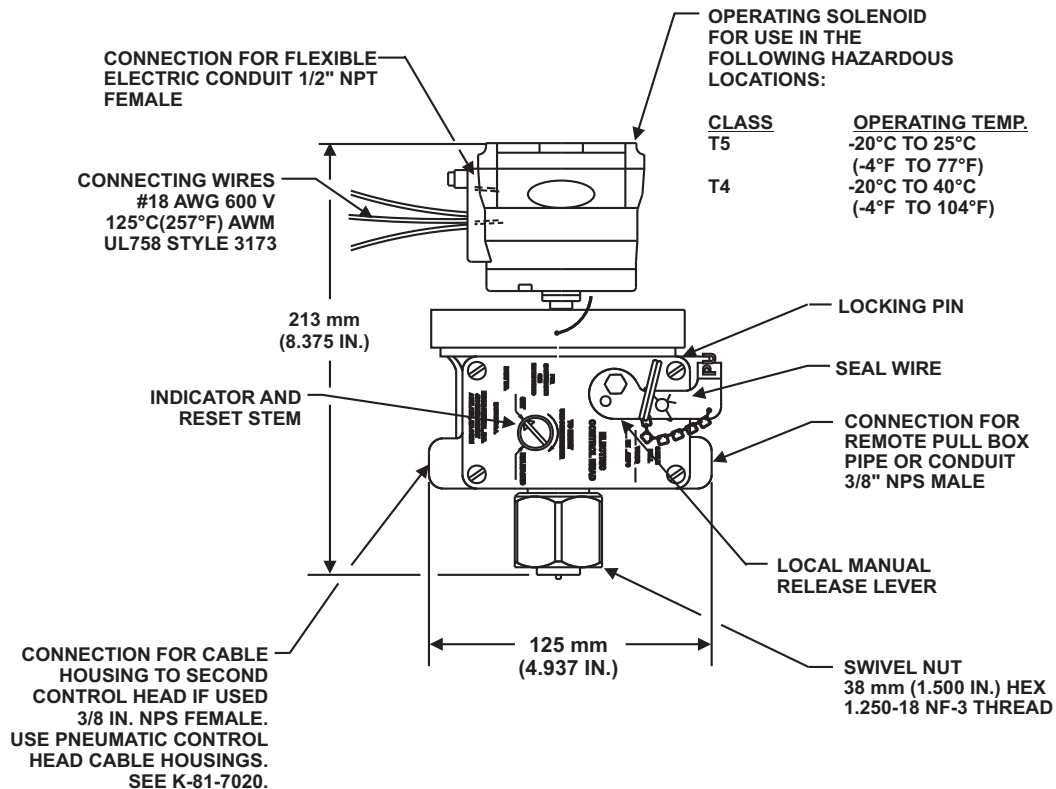


Table 1: Electric and Cable Operated Control Head with Explosion Proof Solenoid Details

Part Number	Control Head	
	Voltage	Power Consumption
81-897494-001	24 VDC	36.2 Watts (continuous draw)

EC Type Examination Certificate Number:

(Solenoid Only)

- LCIE 00 ATEX 6008 X

Safety Code:

- II2G Exd IIC Gb
- II2D Extb IIIC Db IP66/67

This literature is provided for informational purposes only. KIDDE-FENWAL, INC. assumes no responsibility for the product's suitability for a particular application. The product must be properly applied to work correctly. If you need more information on this product, or if you have a particular problem or question, contact KIDDE-FENWAL Inc.