

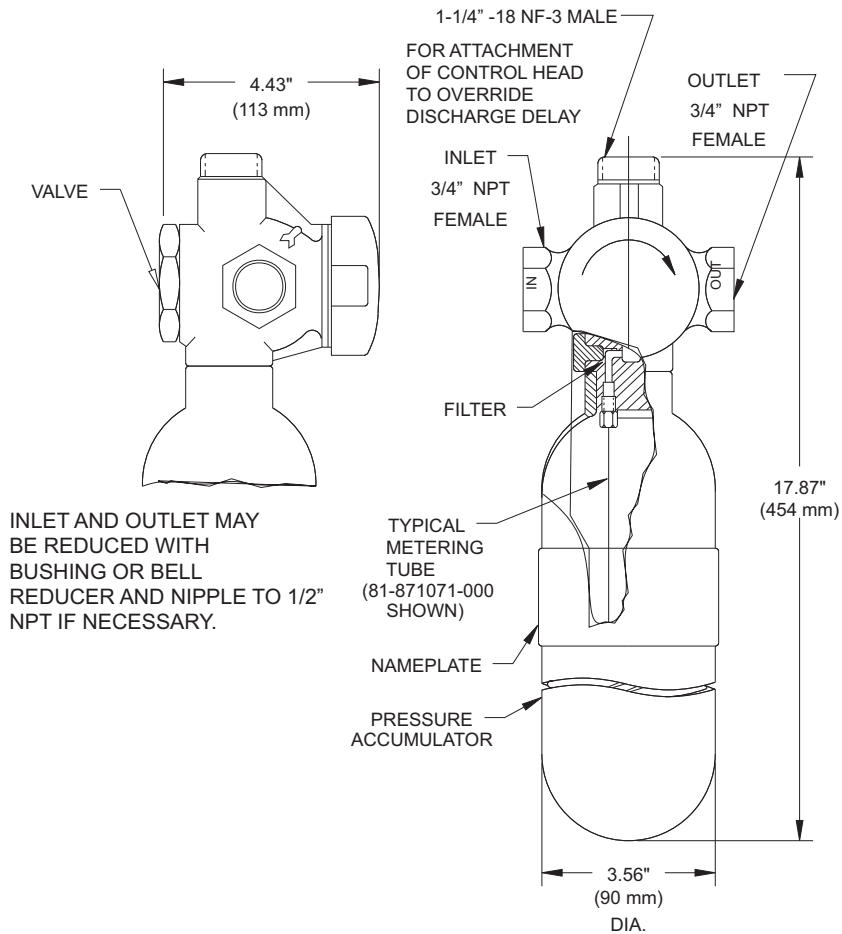
# CO<sub>2</sub> Component Description



## Discharge Delays

Effective: July 2014  
K-81-5210

PART NUMBER	AGENT	NOMINAL DELAY TIME APPROX.	TYPE OF METERING TUBE
81-871071-000	CO <sub>2</sub>	30	CURLED
81-897636-000	CO <sub>2</sub>	60	CURLED



### MATERIALS:

**PRESSURE ACCUMULATOR: STEEL**

**METERING TUBE: STAINLESS STEEL**

**VALVE BODY: BRASS**

**FINISH: RED PAINT**

**FRICITION LOSS: 15 EQUIVALENT FEET OF 3/4-in. PIPE**

This literature is provided for informational purposes only. KIDDE-FENWAL, INC. assumes no responsibility for the product's suitability for a particular application. The product must be properly applied to work correctly. If you need more information on this product, or if you have a particular problem or question, contact KIDDE-FENWAL, INC., Ashland, MA 01721. Telephone: (508) 881-2000.

Kidde Fire Systems  
400 Main Street  
Ashland, MA 01721  
Ph: 508.881.2000  
Fax: 508.881.8920  
[www.kiddefiresystems.com](http://www.kiddefiresystems.com)