

FE-13 Component Description

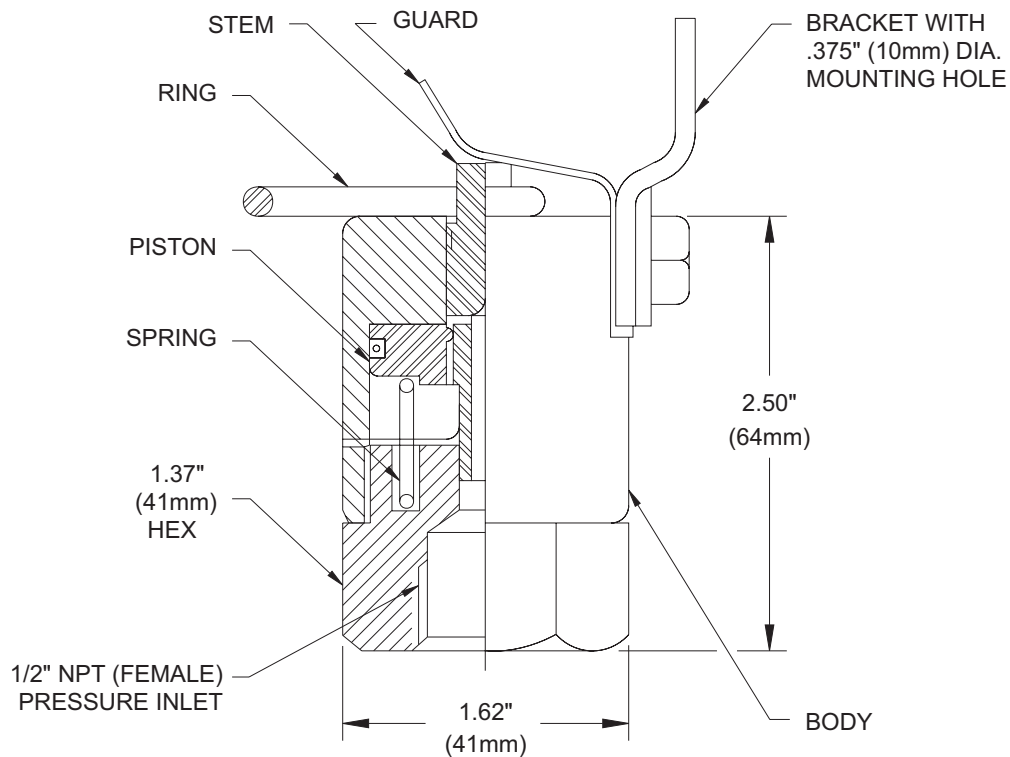


A UTC Fire & Security Company

Pressure Trip

Effective: April 2007
K-96-3180

P/N: 874290



MATERIALS:

BODY, BRACKET, AND PISTON: BRASS

GUARD, STEM, RING, AND SPRING: STAINLESS STEEL

MAXIMUM LOAD ON RING: 100 LBS. (45 KG)

**MINIMAL NOMINAL OPERATING
PRESSURE: 50 PSI (3.5 BARS)**

This literature is provided for informational purposes only. KIDDE-FENWAL, INC. assumes no responsibility for the product's suitability for a particular application. The product must be properly applied to work correctly. If you need more information on this product, or if you have a particular problem or question, contact KIDDE-FENWAL, INC., Ashland, MA 01721. Telephone: (508) 881-2000.