

# Kidde ECS Fire Suppression System Component Description



Effective: June 2014

K-90-9045 Rev BA

## 3-Inch Flexible Discharge Hose P/N 06-118225-001

### FEATURES

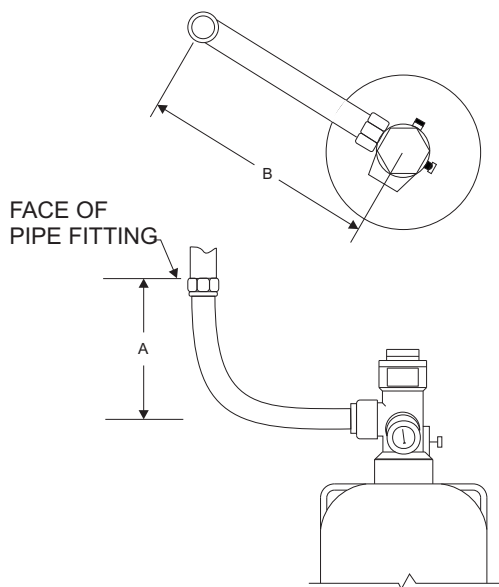
- *Stainless Steel Braided*
- *Victaulic Fittings*
- *FM Approved*
- *UL Listed*
- *RoHS Compliant*

### DESCRIPTION

The Kidde ECS System Stainless Steel flexible hose is used to connect the 3-inch valve cylinders (both the 600 lb. and 900 lb. cylinders) to discharge piping. The hose has a victaulic fitting at the cylinder end and a 3-inch male groove fitting to connect to the piping.

### INSTALLATION

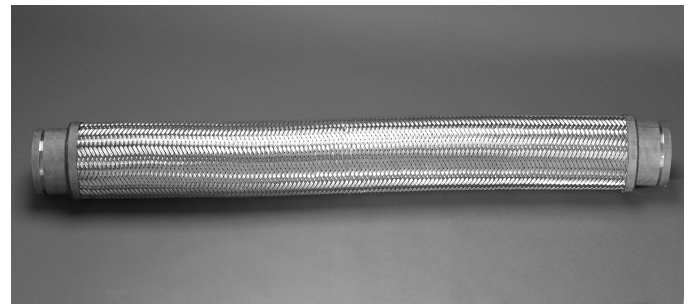
The stainless steel flexible braid hose may be installed horizontally or with a 90 degree bend radius as shown in the diagram below.



Dimensions			
A		B	
in.	mm	in.	mm
33	838	36	914

**Note:** Dimensions A and B must be maintained in order to obtain a smooth radius in flexible loop. Hose may require adapter to connect to system piping.

This literature is provided for informational purposes only. KIDDE-FENWAL, INC. assumes no responsibility for the product's suitability for a particular application. The product must be properly applied to work correctly. If you need more information on this product, or if you have a particular problem or question, contact KIDDE-FENWAL Inc.



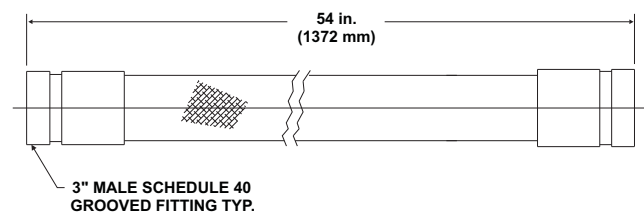
### ORDERING INFORMATION

The part number for ordering the 3-inch flexible discharge hose is 06-118225-001.

### SPECIFICATION

- Material:** Convoluted hose with stainless steel braid overlay
- Working pressure:** 500 psi (3.4 Mpa)
- Proof pressure:** 1000 psi (7.0 Mpa)
- Burst pressure:** 2000 psi (13.8 Mpa)

### DIMENSIONS



### COMPATIBILITY

Series	For Use With
Kidde ECS HFC-227ea	X
Kidde ECS Advanced Delivery FM-200®	X

FM-200 is a registered trademark of E.I. du Pont de Nemours and Company. Kidde is a registered trademark of Kidde-Fenwal Inc. All other trademarks are the property of their respective owners.