

Kidde ECS Advanced Delivery Fire Suppression System Component Description

Fan Nozzles 180° and 360° Assembly 1/2 in., 3/4 in.,
1 in., 1-1/4 in., 1-1/2 in., 2 in. P/N: 90-1944XX-XXX



Effective: June 2014

K-90-107

FEATURES

- "Fan" Pattern Allows for a Faster Rate of Vaporization
- Unique Nozzle Interior Design Allows for Superior Flow Control
- 180° is mounted 1-1/2 inch from Side Wall
- Brass or Stainless Steel
- Minimum Nozzle Pressure of 72 PSI (5 bar)
- Recess Option (Minimum of 1/2 inch from Ceiling)
- Custom Drilled to Fit Specific Applications
- UL Listed for Use with the ADS Only
- FM Approved for Use with the ADS Only
- Kidde Patented Technology
- RoHS Compliant

DESCRIPTION

Kidde ECS ADS Fire Suppression System with FM-200[®] Agent 180° and 360° Fan Nozzles are built with a flat discharge pattern, or a "fan" pattern, which allows for a faster rate of vaporization. The large area of coverage that is created by the nozzle's "fan" action, allows the agent to discharge closer to the nozzle and vaporize quickly to create the proper mixture between the agent and the nitrogen.

The nozzles are designed with unique interior profile to provide a smooth transitional direction change for the agent upon discharge. This type of design allows the agent to keep much of its momentum as it leaves the nozzle—momentum is necessary to provide agent distribution at greater distance. The nozzles are custom drilled for each application, allowing the nozzles to be effective in large or small spaces.

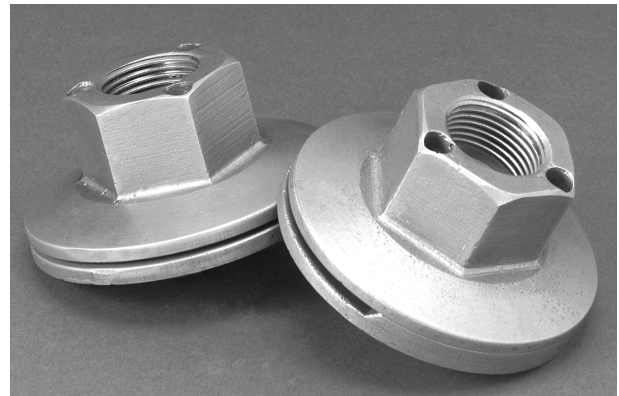
Another design feature that the Kidde ECS ADS System nozzles offer is a downward discharge angle from the nozzle which controls the interaction of the vaporizing discharged liquid with ceiling surfaces, which is to be avoided.

When mounted, the nozzles offer a recess option with a minimum placement of 1/2 inch from the ceiling. The 180° nozzle can also be located 1½ inch from the side wall. The nozzles have a sleek, discrete profile, for an aesthetically pleasing look.

MAINTENANCE

MONTHLY

1. Ensure that there are no obstructions to hinder distribution of FM-200[®] Agent.
2. Visually inspect nozzles for physical damage or clogging. Replace or clean if required. If nozzles are replaced, new nozzles used must be the same part number in the same location.



SPECIFICATIONS

MATERIALS

Body: Brass or Stainless Steel

Approx. Weight 360° Nozzle:

1/2 in. and 3/4 in.: 1.3 lb. (0.59 kg)

1 in. through 2 in.: 4.5 lb. (2.00 kg)

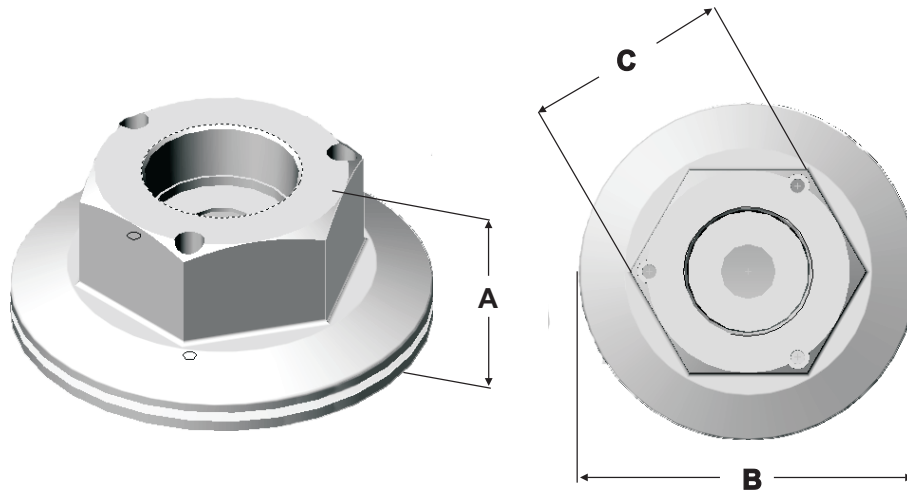
Approx. Weight 180° Nozzle:

1/2 in. and 3/4 in.: 1.3 lb. (0.59 kg)

1 in. through 2 in.: 5.0 lb. (2.30 kg)

Note: Please refer to the Design, Installation, Operation and Maintenance Manual (P/N 06-236068-001) for associated nozzle part numbers and orifice areas.

DIMENSIONS



Nominal Size	180° Nozzle						360° Nozzle					
	A		B		C		A		B		C	
	in.	mm	in.	mm	in.	mm	in.	mm	in.	mm	in.	mm
1/2"	1.47	37	3	76	1.5	38	1.44	36.5	3	76	1.5	38
3/4"	1.52	39	3	76	1.5	38	1.47	37	3	76	1.5	38
1"	1.98	50	5	127	3	76	1.92	49	5	127	3	76
1¼"	2.06	52	5	127	3	76	1.96	50	5	127	3	76
1½"	2.13	54	5	127	3	76	2	51	5	127	3	76
2"	2.29	58	5	127	3	76	2.08	53	5	127	3	76

ORDERING INFORMATION

Refer to the Kidde Fire Systems ECS Advanced Delivery Fire Suppression System with FM-200® Agent: DIOM (P/N 06-236068-001) for part number information.

FM-200 is a registered trademark of E.I. du Pont de Nemours and Company. Kidde is a registered trademark of Kidde-Fenwal Inc. All other trademarks are the property of their respective owners.

This literature is provided for informational purposes only. KIDDE-FENWAL, INC. assumes no responsibility for the product's suitability for a particular application. The product must be properly applied to work correctly. If you need more information on this product, or if you have a particular problem or question, contact Kidde-Fenwal Inc.

