

# Kidde ECS™ Fire Suppression System Component Description

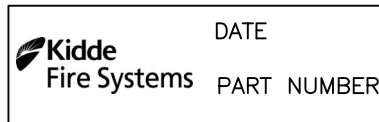
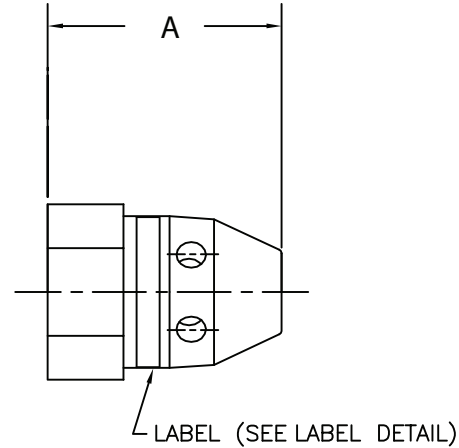
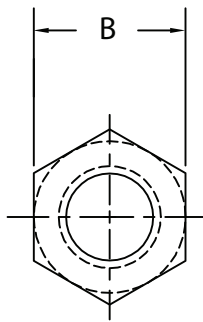
## 360 Degree Pendant Nozzle

Effective: March 2018  
K-90-2140 Rev BB

### FEATURES

- For Use with UL, ULC and FM Approved Systems
- See Kidde Manual 06-236225-001 for USCG Approval
- RoHS Compliant

P/N: 90-19402X-XXX



LABEL DETAIL

Pipe Size	A	B	C	D
1/2" (12.20 mm)	1.250" (31.75mm)	1.468" (37.28mm)	1.937" (49.19mm)	1.250" (31.75mm)
3/4" (19.05 mm)	1.500" (38.10 mm)	1.578" (40.08 mm)	2.125" (53.97 mm)	1.500" (38.10 mm)
1" (25.40 mm)	1.750" (44.45 mm)	1.718" (43.63 mm)	2.375" (60.32 mm)	1.750" (44.45 mm)
1-1/4" (31.75 mm)	2.250" (57.15 mm)	1.950" (49.53 mm)	2.750" (69.85 mm)	2.250" (57.15 mm)
1-1/2" (38.10 mm)	2.250" (63.50 mm)	2.000" (50.80 mm)	2.937" (74.59 mm)	2.250" (63.50 mm)
2" (50.80 mm)	3.000" (76.20 mm)	2.062" (52.37 mm)	3.125" (79.37 mm)	3.000" (76.20 mm)

**Note:** A selection of orifices are available for each nozzle size. Consult your Kidde design and installation manual for details.

### COMPATIBILITY

Series	For Use With
Kidde ECS HFC-227ea	X

#### EXPORT INFORMATION (USA)

Jurisdiction: EAR  
Classification: EAR99  
This document contains technical data subject to the EAR.  
All trademarks are the property of their respective owners.  
©2018 Kidde-Fenwal, Inc.

This literature is provided for informational purposes only. KIDDE-FENWAL, INC. believes this data to be accurate, but it is published and presented without any guarantee or warranty whatsoever. KIDDE-FENWAL, INC. assumes no responsibility for the product's suitability for a particular application. The fire suppression system design, installation, maintenance, service and troubleshooting must be performed by trained, authorized Kidde Fire Systems distributors for the product to work correctly. If you need more information on this product, or if you have a particular problem or question, contact KIDDE-FENWAL, INC., Ashland, MA 01721 USA. Telephone: (508) 881-2000.

Kidde Fire Systems  
400 Main Street  
Ashland, MA 01721  
Ph: 508.881.2000  
Fax: 508.881.8920  
[www.kiddefiresystems.com](http://www.kiddefiresystems.com)