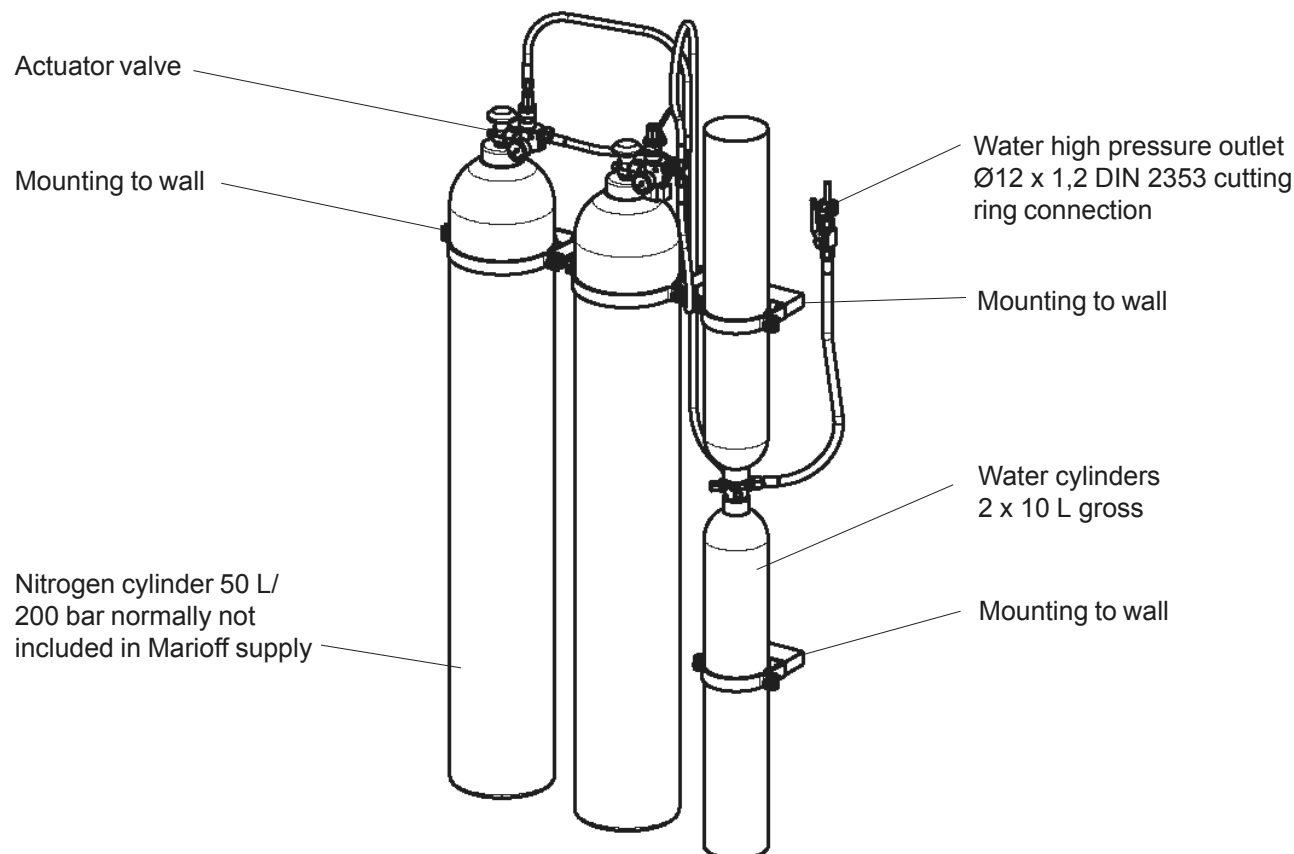




Sub-floor Accumulator Unit DAU-20-S

Stock codes E21228 and E21229

09 Apr 2003



Model	Length [mm]	Width [mm]	Height [mm]	Mass (dry) [kg]	Mass (wet) [kg]	Max. output
DAU-20-S-1	862	242	1779			15 L
DAU-20-S-2	967	242	1901			15 L

Description

DAU-20-S (Sub-floor Accumulator Unit) consists of water cylinders fully interconnected and powered by a pressurized nitrogen cylinder(s). The nitrogen cylinders are not supplied as local cylinders are recommended because of the varying national regulations. In stand-by situation, the water cylinders and the piping system are not pressurized. Upon actuation the unit will discharge on a continuous basis for the duration of discharge through the stainless steel piping and the HI-FOG sub-floor smoke scrubbing equipments.

The system activation can be done remotely or manually depending on the actuator valve. Once released, the nitrogen forces the water from cylinders to piping system and to spray heads. The discharge is normally designed for a 10 minute period.

For further information, see related documents:

DAU-20-S-1	DHDUDA000075B	THPUDA000075
DAU-20-S-2	DHDUDA000076B	THPUDA000076

Marioff Marioff Corporation Oy, P.O. Box 25, Hakamäenkuja 4, FIN-01511 Vantaa, Finland, tel +358 9 870 851, fax +358 9 8708 5399, e-mail info@marioff.fi, www.hi-fog.com

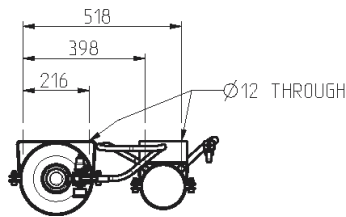
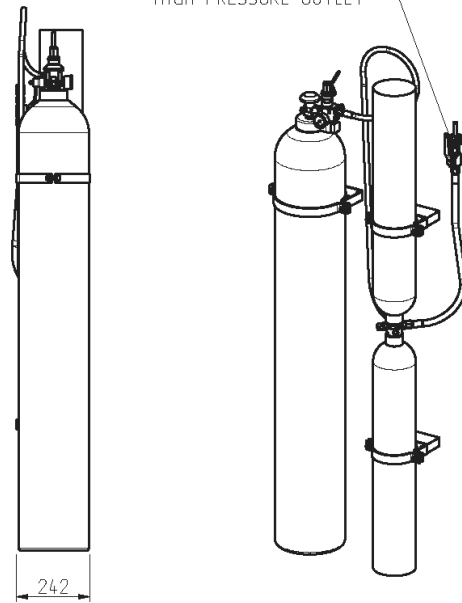
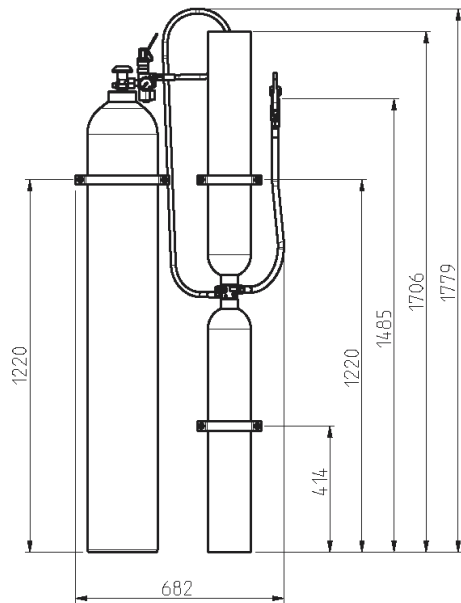


Technical Data Sheet

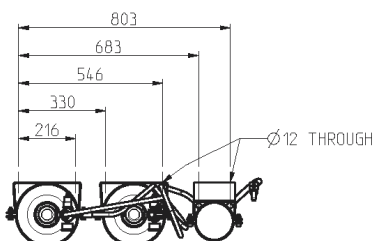
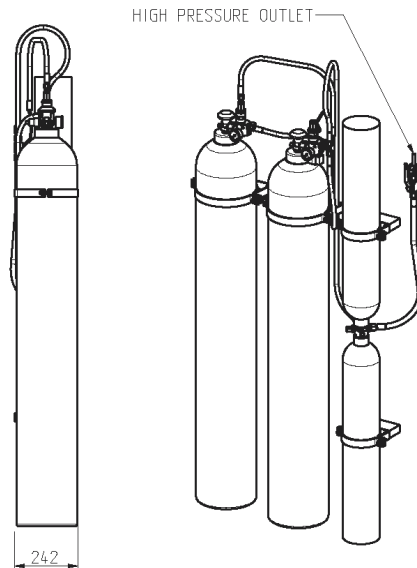
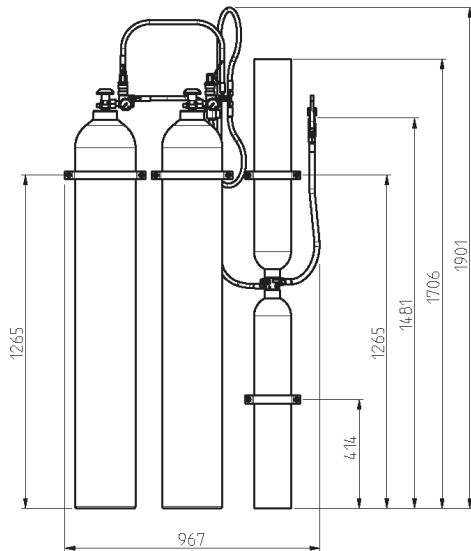
Sub-floor Accumulator Unit DAU-20-S

Stock codes E21228 and E21229

09 Apr 2003



EXTERNAL PIPING CONNECTIONS	
CONNECTION	TYPE / DIMENSION
HIGH PRESSURE OUTLET	Ø12X1.2 DIN2353 CUTTING-RING FITTING



EXTERNAL PIPING CONNECTIONS	
CONNECTION	TYPE / DIMENSION
HIGH PRESSURE OUTLET	Ø12X1.2 DIN2353 CUTTING-RING FITTING

Marioff Marioff Corporation Oy, P.O. Box 25, Hakamäenkuja 4, FIN-01511 Vantaa, Finland, tel +358 9 870 851, fax +358 9 8708 5399, e-mail info@marioff.fi, www.hi-fog.com

Marioff Corporation Oy reserves the right to revise and improve its products and recommended system configurations as it deems necessary without notification. The information contained herein is intended to describe the state of HI-FOG products and system configurations at the time of its publication and may not reflect the product and/or system configurations at all times in the future.