



Technical Data Sheet TE1150

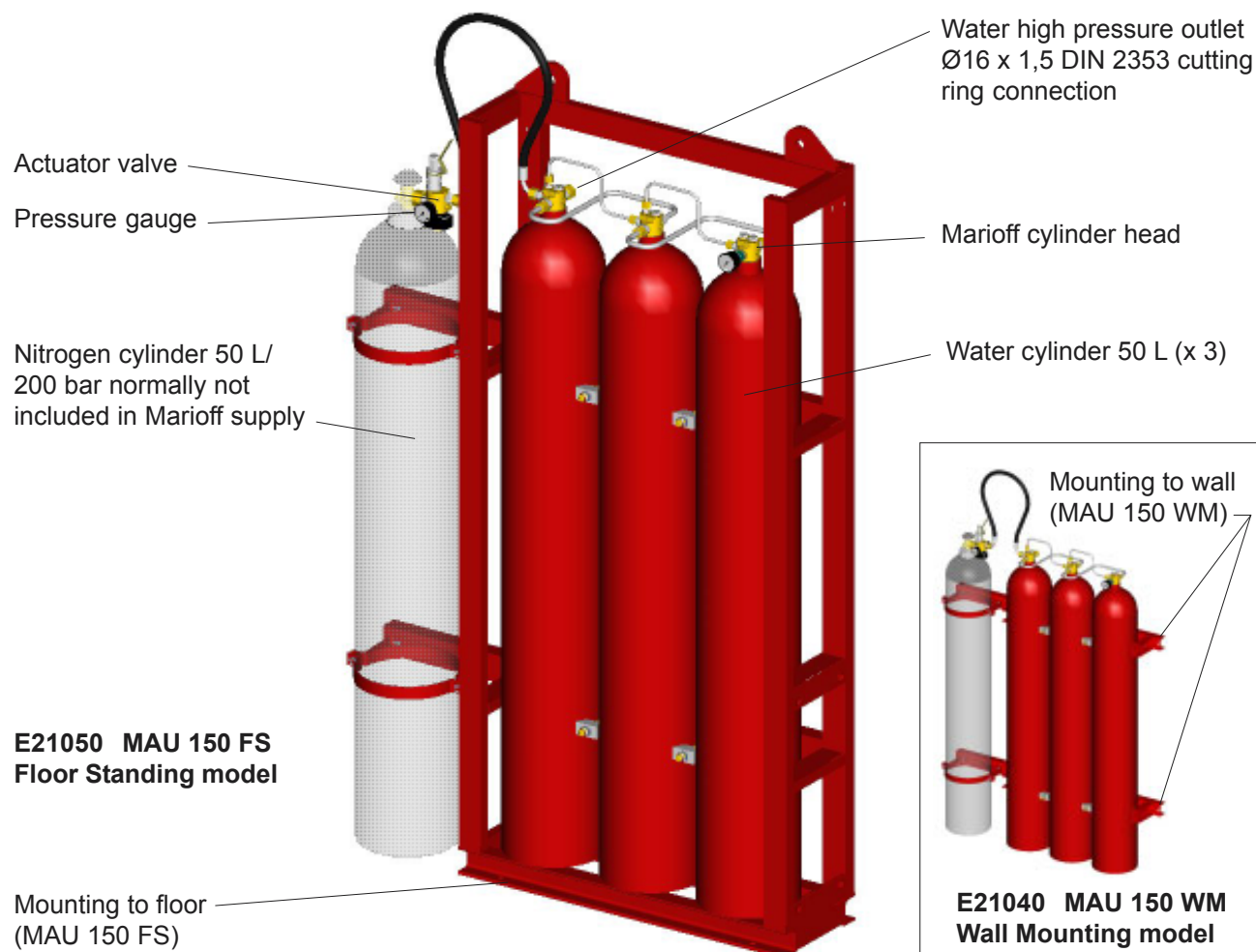
Machinery Space Accumulator Unit MAU 150 WM/FS

Stock codes E210XX (X: see table below)

TA

27 Apr 2005

Type	Model	150 bar	200 bar	250 bar
Wall Mounting models	MAU 150 WM	E21041	E21040	E21039
Floor Standing models	MAU 150 FS	E21052	E21051	E21050



E21050 MAU 150 FS
Floor Standing model

E21040 MAU 150 WM
Wall Mounting model

Model	Length [mm]	Width [mm]	Height [mm]	Mass* (dry) [kg]	Mass* (wet) [kg]	Max. output
MAU 150 WM	1230	284	1983	290	440	150 L
MAU 150 FS	1213	282	2015	300	450	150 L

*) given mass without a gas cylinder. As an example, a full 200 bar 50 litre N₂-cylinder mass is 62 kg.

Description

MAU (Machinery space Accumulator Unit) consists of water cylinders fully interconnected and powered by a pressurized nitrogen cylinder. The nitrogen cylinder is not supplied as local cylinders are recommended because of the national regulations. In stand-by situation, the water cylinders and the piping system are not pressurized. Upon actuation the unit will discharge on a continuous basis for the duration of discharge through the stainless steel piping and the HI-FOG spray heads.

The system activation can be done remotely or manually depending on the actuator valve. Once released, the nitrogen forces the water from cylinders to piping system and to spray heads. The discharge is normally designed for a 10 minute period.

For further information, see related documents: Dimensional Drawing no. DHAUMA000024A (MAU 150 WM)
Dimensional Drawing no. DHAUMA000025A (MAU 150 FS)

Marioff Marioff Corporation Oy, P.O. Box 86, Virmatie 3, FIN-01301 Vantaa, Finland,
tel +358 9 870 851, fax +358 9 8708 5399, e-mail info@marioff.fi, www.hi-fog.com



Technical Data Sheet TE1150

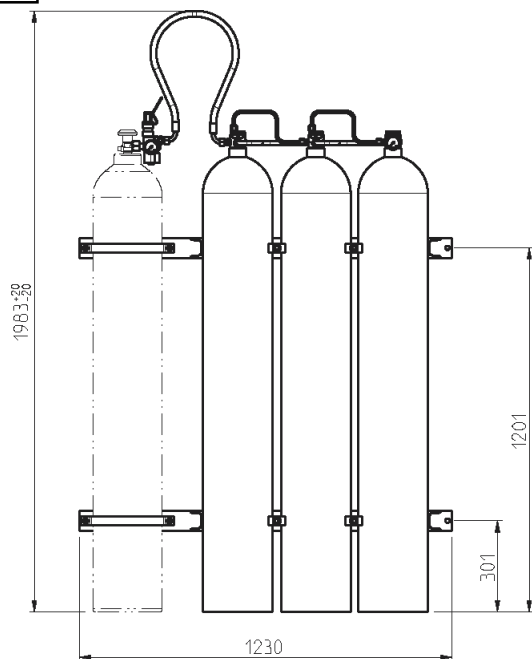
Machinery Space Accumulator Unit MAU 150 WM

Stock codes E21039, E21040 and E21041

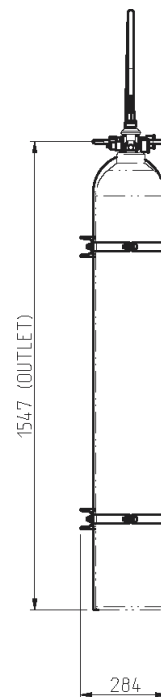
TA

27 Apr 2005

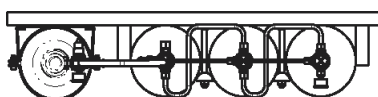
Front view



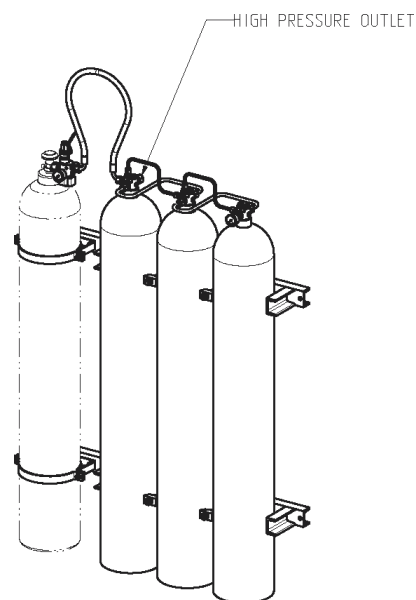
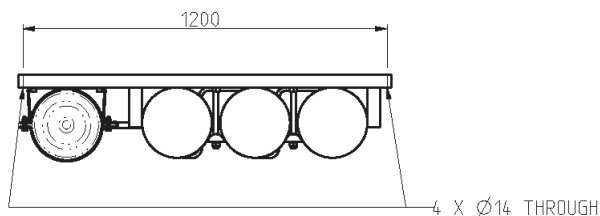
Side view



Top view



Mounting



EXTERNAL PIPING CONNECTIONS	
CONNECTION	TYPE / DIMENSION
HIGH PRESSURE OUTLET	Ø16X1.5 DIN2353 CUTTING-RING FITTING

Marioff Marioff Corporation Oy, P.O. Box 86, Virmatie 3, FIN-01301 Vantaa, Finland,
tel +358 9 870 851, fax +358 9 8708 5399, e-mail info@marioff.fi, www.hi-fog.com



HI-FOG®

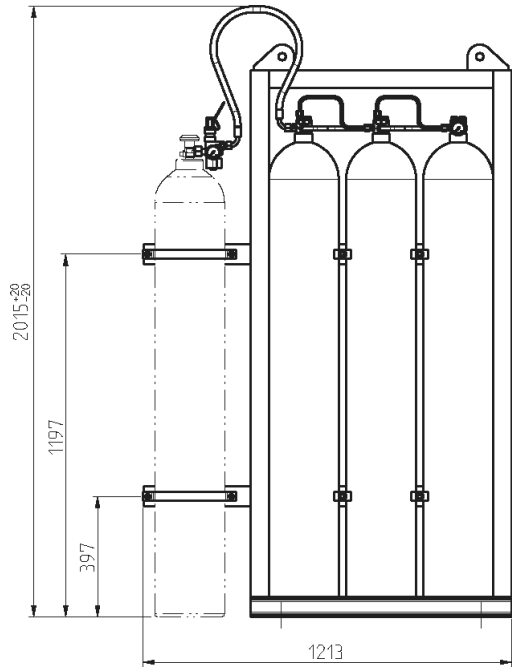
Machinery Space Accumulator Unit MAU 150 FS

Stock codes E21050, E21051 and E21052

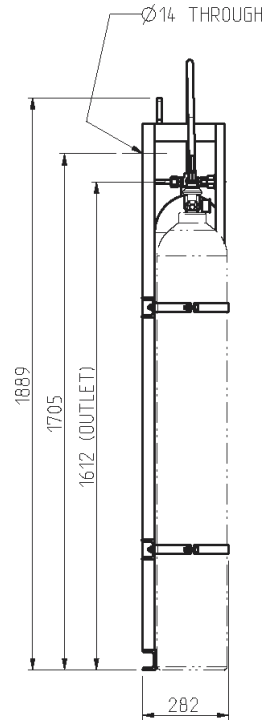
TA

27 Apr 2005

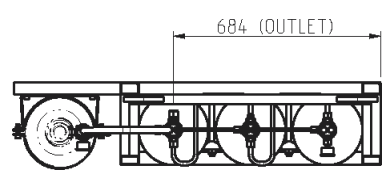
Front view



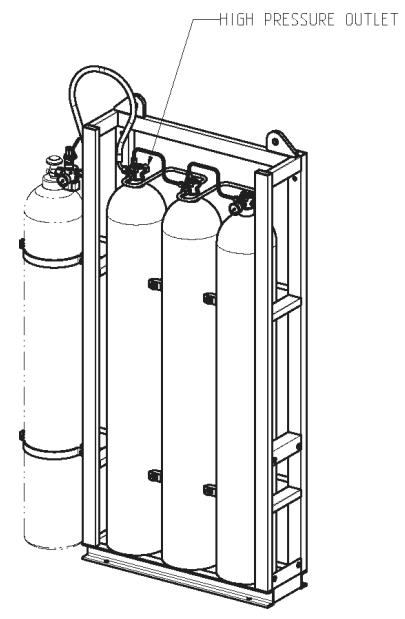
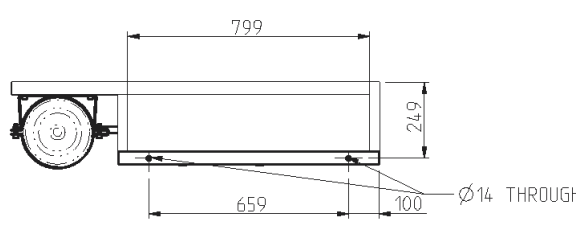
Side view



Top view



Mounting



EXTERNAL PIPING CONNECTIONS	
CONNECTION	TYPE / DIMENSION
HIGH PRESSURE OUTLET	Ø16X1.5 DIN2353 CUTTING-RING FITTING

Marioff Marioff Corporation Oy, P.O. Box 86, Virmatie 3, FIN-01301 Vantaa, Finland, tel +358 9 870 851, fax +358 9 8708 5399, e-mail info@marioff.fi, www.hi-fog.com

Marioff Corporation Oy reserves the right to revise and improve its products and recommended system configurations as it deems necessary without notification. The information contained herein is intended to describe the state of HI-FOG products and system configurations at the time of its publication and may not reflect the product and/or system configurations at all times in the future.