



HI-FOG®

Technical Data Sheet TE6113

Water cylinder unit WGUx

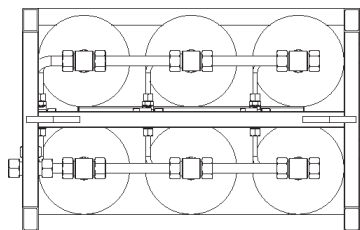
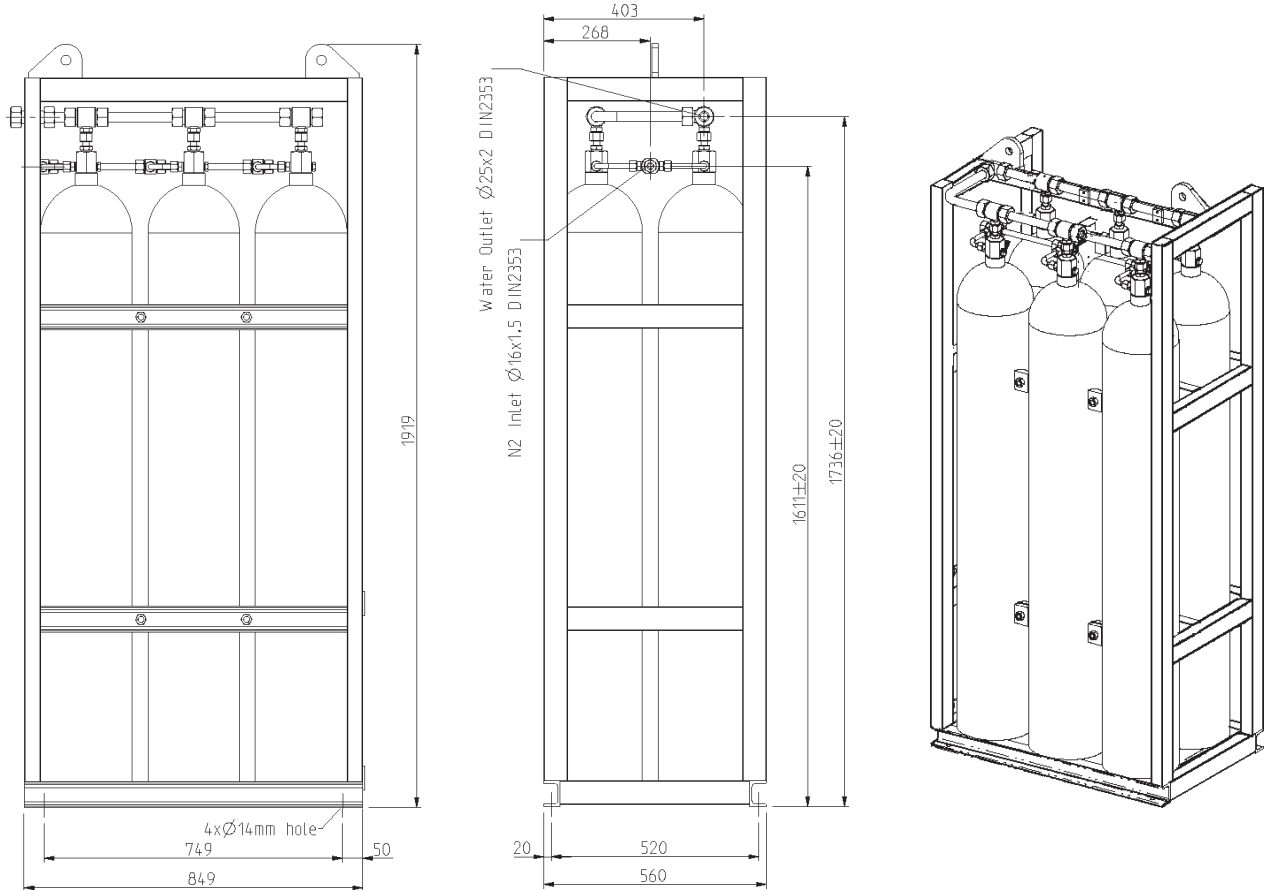
Stock code E622XX (see table below)

TA

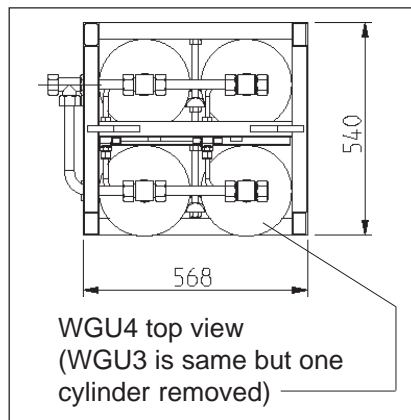
01 Oct 2003

Water cylinder rack for GPU unit. WGU6 is shown in main drawing.

Max. working pressure 200 bar.



Water cylinder á 50 L
 mass (dry) 67 kg
 mass (filled) 117 kg



Product	Model	Line Diagram no.	Parts list
E62217	WGU3	DH DUWA000666	THPUWA000666
E62218	WGU4		
E62220	WGU6		

Marioff Marioff Corporation Oy, P.O. Box 86, Virnatie 3, FIN-01301 Vantaa, Finland,
 tel +358 9 870 851, fax +358 9 8708 5399, e-mail info@marioff.fi, www.hi-fog.com

Marioff Corporation Oy reserves the right to revise and improve its products and recommended system configurations as it deems necessary without notification. The information contained herein is intended to describe the state of HI-FOG products and system configurations at the time of its publication and may not reflect the product and/or system configurations at all times in the future.