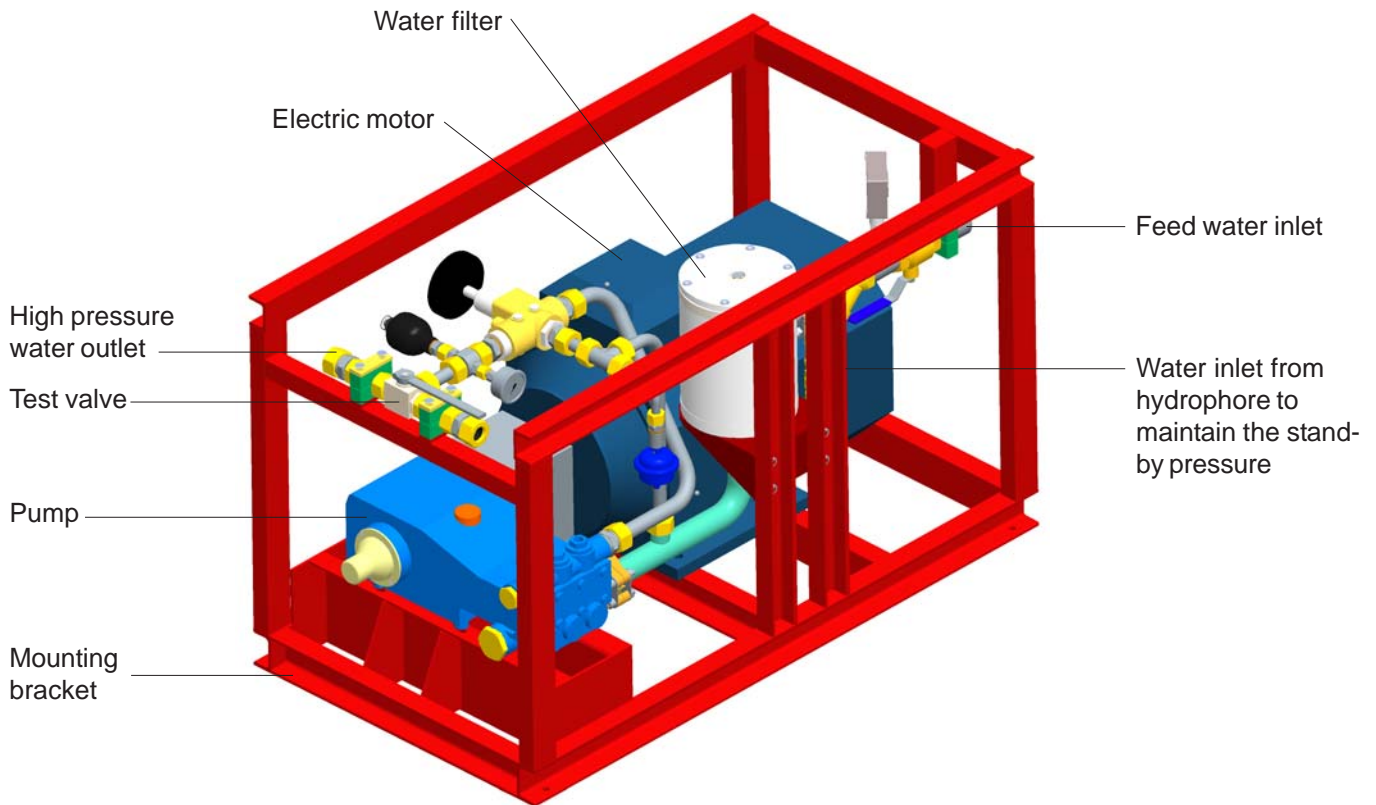




Machinery Local protection Pump Unit MLPU1

Product E01210.3

15 Jan 2009



Stock code	Current freq. [Hz]	Power [kW]	Length [mm]	Width [mm]	Height [mm]	Mass (dry) [kg]	Pressure [bar]	Max. output [l/min]
E01210.3	50	23	1350	730	815	450	70	164
E01210.3	60	28	1350	730	815	450	70	195
E01210.3	50	30	1350	730	815	450	90	164
E01210.3	60	35	1350	730	815	450	90	195

Description

The MLPU1 consists of an electric motor propelling a high pressure pump to produce the high pressure water flow needed in the system in the case of a fire accident.

The pressure produced by the pump is 70 bar or 90 bar respectively, according to the application. In stand-by position, the system pressure is maintained at 2 - 10 bar by means of the external water line pressure.

The MLPU1 can be started automatically or manually. Automatic start is activated by a Fire Detection System (FDS). Manual start can be launched either remotely from the external release panel or locally from the Starter Cabinet. External release and indication panel is normally included in the Marioff supply.

The Starter Cabinet is installed separately.



Marioff Corporation Oy • Virratie 3 / P.O.Box 86, FI-01301 Vantaa, Finland
 Tel. +358 (0)9 870 851 • Fax +358 (0)9 8708 5399 • www.marioff.com



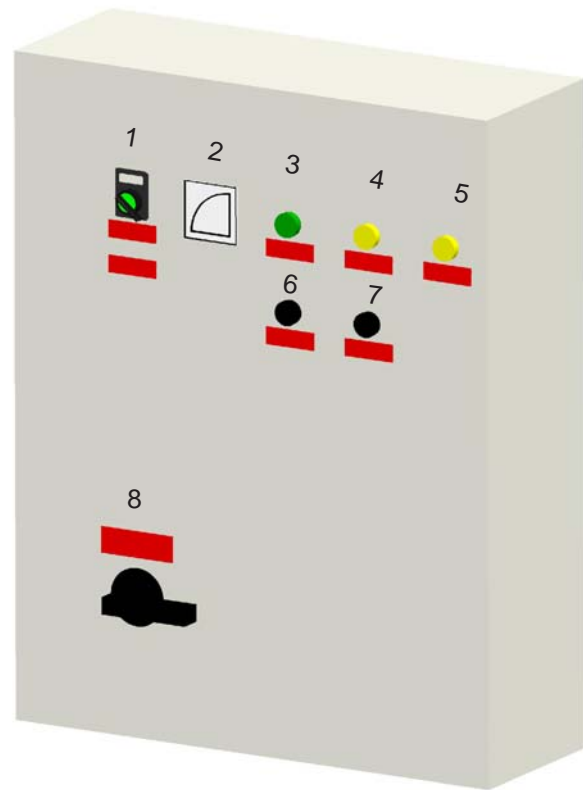
Machinery Local protection Pump Unit MLPU 1

Starter Cabinet for product E01210.3

15 Jan 2009

1. HI-FOG manual start switch (delayed start 10 s)
2. Motor ampere meter
3. Control system on lamp
4. Pump unit fault lamp
5. 230 VAC earth fault lamp
6. Lamp test push button
7. Reset push button
8. Main power switch

Starter Cabinet size: 760 x 760 x 210 mm



The Starter Cabinet is typically installed separately, near the MLPU unit. Starter Cabinet cabling is not included in the Marioff supply.

The electric power to the Starter Cabinet is normally supplied from the Main Switchboard (MSB). In case of a power failure, the supply from the Emergency Switchboard (ESB) is automatically switched on. Cable openings are at the bottom of the Starter Cabinet. The enclosure class is IP54.

The following signals will usually be led to the ship's automation system: pump unit running, pump unit fault. In addition, the start request to the external feed water pump is given if the starter of the feed water pump is not in the Starter Cabinet.

When ordering the MLPU1, the Starter Cabinet must be defined separately (see options in tables below). Other hardware options and possible FDS connections must also be defined when ordering the unit.

Options for	MLPU 1 70/xx, MLPU 1 90/xx
Feed water pump starter in the Starter Cabinet.	

Voltage and Frequency options (to be defined when ordering)	
70 bar unit: 50 Hz - 23 kW or 60 Hz - 28 kW	
90 bar unit: 50 Hz - 30 kW or 60 Hz - 35 kW	
690 VAC 50 Hz	690 VAC 60 Hz
400 VAC 50 Hz	440 VAC 60 Hz
380 VAC 50 Hz	



Marioff Corporation Oy • Virnatie 3 / P.O.Box 86, FI-01301 Vantaa, Finland
Tel. +358 (0)9 870 851 • Fax +358 (0)9 8708 5399 • www.marioff.com

6

5

4

3

2

1

D

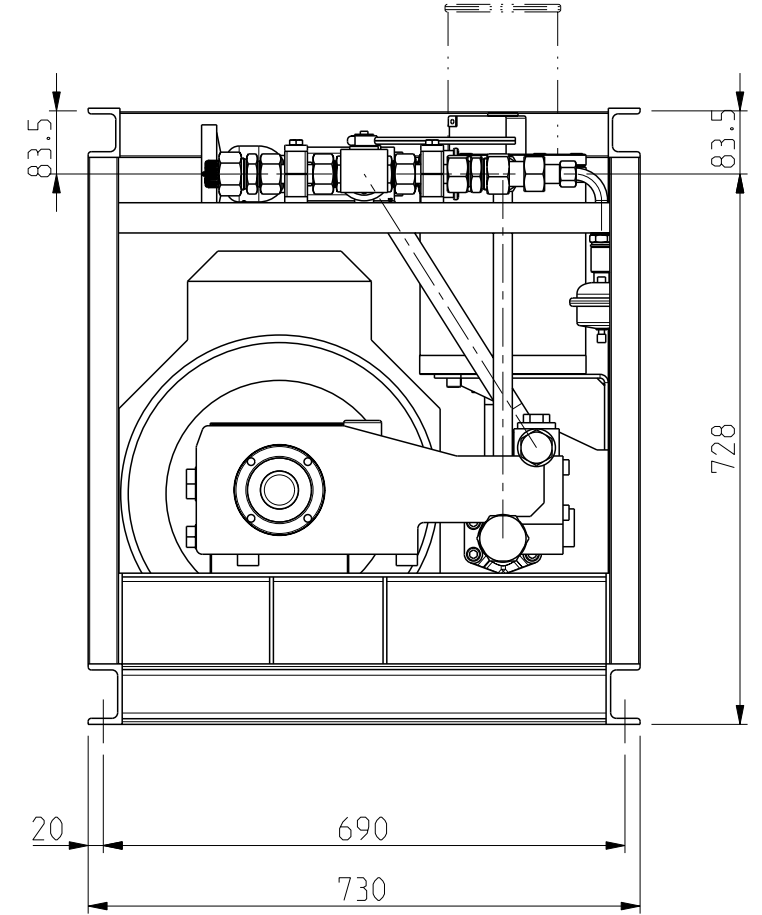
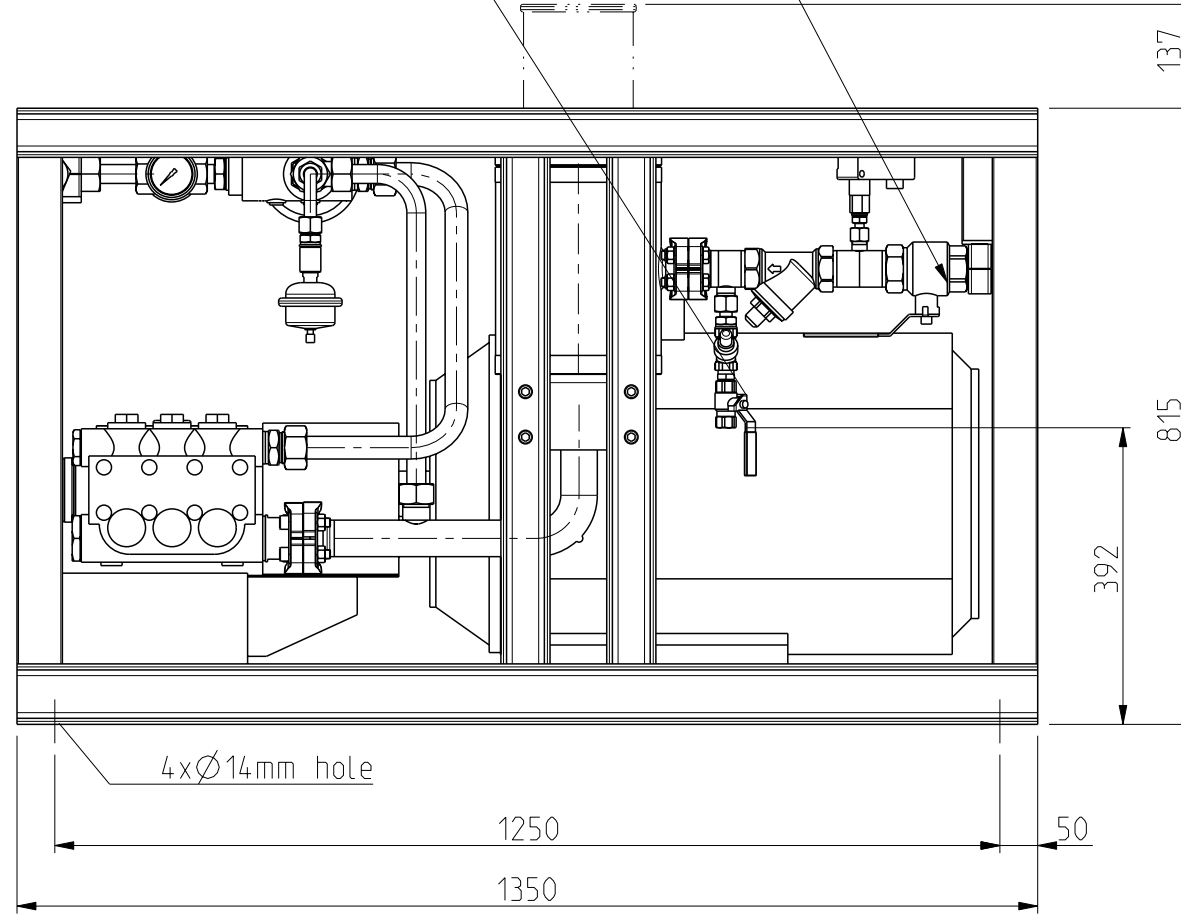
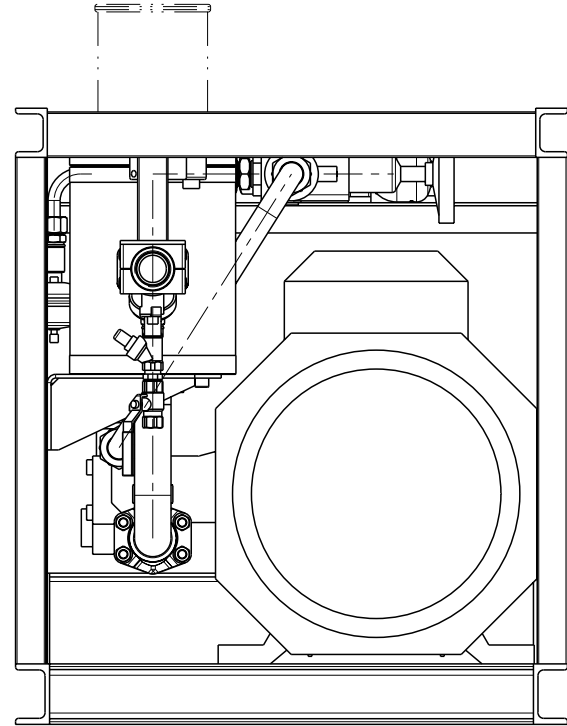
C

B

A

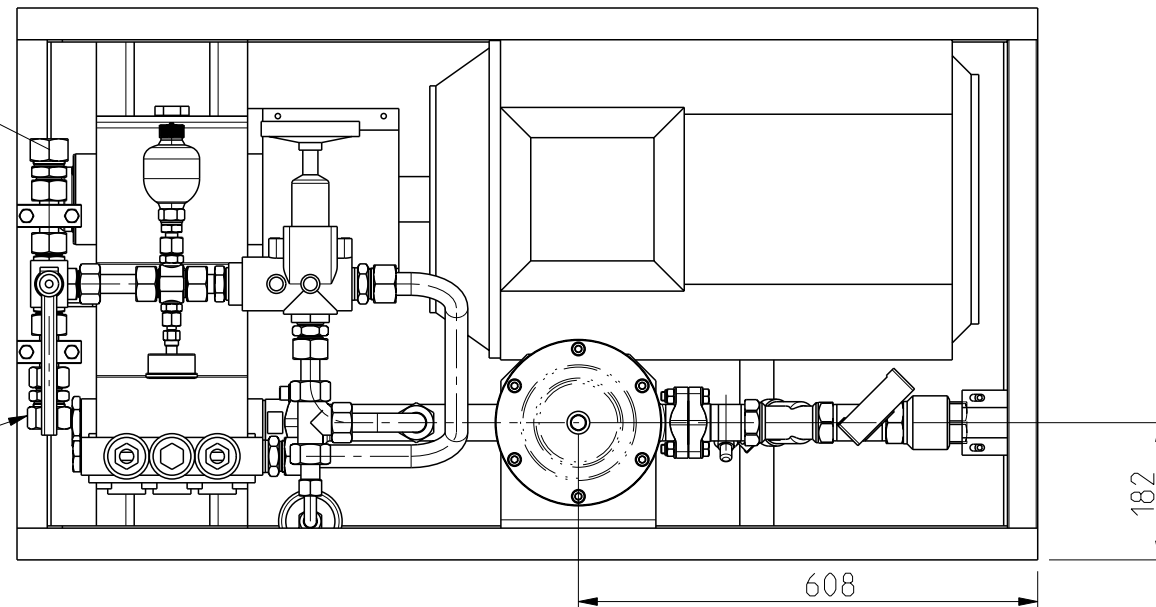
Fresh Water Inlet BSP R1 1/2" female
Water Inlet from Hydrophore
BSP R1/2" Female

Filter Replacement



High Pressure Outlet Ø30x2.5

Test Line Outlet Ø30x2.5



25.09.06



Marioff Corporation Oy
P.O.Box 86
FIN-01301 Vantaa
Tel. +358-9-870851
Fax +358-9-87085399

Name
Nimitys

PUMP UNIT
MLPUI
PUMP UNIT

Mass
Massa kg

Made
Tekijä 2109.06/PH

Chkd
Tark.

Appd
Hyv.

Release
level WIP

Sheet
Sivu 1/2

Scale
Suhde 1:10

Drw.no.
Piir.no DOC0001415 C

Product
Tuote E01210.3

Material
Materiaali

General
Tolerance

Replaces

Units
Yksikkö mm

Model MLPUI

This drawing is a property of Marioff Corp. It is not to be disclosed, traced, copied or published without our written consent. Not to be misused in any way

C	Paineakku (35 bar) vaihdettu	04.03.08	PH	0001114
B	Runko, piir nro matrix:sta	30.08.07	PH	0000780
Rev.	Reason of Reviewing	Date	Reviewed	CN Ref.No

