

Unit output pressure	Length [mm]	Width [mm]	Height [mm]	Mass (dry) [kg]	Mass (wet) [kg]	Max. output [lpm]
140-80 bar	1740	1000	1376			195
140-140 bar						

### Description

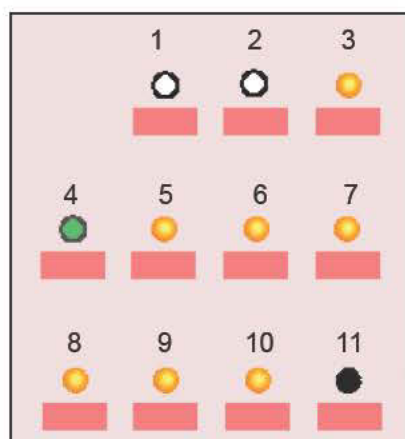
The SPU 2 consists of two pump modules. Each module consists of an electric motor running via gearbox two high pressure pumps to produce the high pressure water flow needed in the sprinkler system in the case of a fire accident.

The pressure produced by pumps can be adjusted from 80 bar to 140 bar respectively, according to the application. The pump modules are started sequentially, thus reducing the electric power peak loads. In stand-by position, the system pressure is maintained at 25 bar by means of the pneumatic stand-by pump.

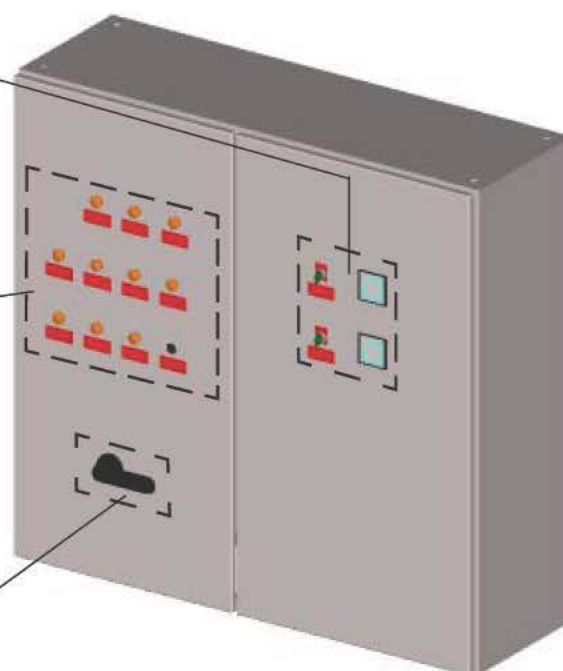
The pump unit can be started automatically or manually. Automatic start is activated by either the flow signal or the pressure signal. Manual start can be launched either from the external release panel or from the Starter Cabinet, switching on the pump modules one by one. External release and indication panel is normally included in the Marioff supply. The system start signal can also be given by the fire detection system (FDS) via the external panel.

### NOTE! Service area requirement

Reserve free space around the unit: at least 500 mm on both sides of the motors and at least 700 mm in front of the starter cabinet doors. This area needs to be kept available for service and maintenance work.



Manual start switch,  
lamp and motor  
ampere meter (x 2)



1. Main Switchboard Power supply indication lamp
2. Emergency Switchboard Power supply indication lamp
3. 230 VAC control voltage fault
4. Control system on lamp
5. 24 VDC power supply failure
6. 24 VDC earth fault
7. Reset switch and lamp
8. Pump unit fault
9. Out of water
10. Nitrogen pressure low
11. Lamp test push button

Main switch

The electric power to the starter cabinet is normally supplied from the Main Switchboard (MSB). In case of a power failure, the supply from the Emergency Switchboard (ESB) is automatically switched on. Cable openings are at the bottom of the Starter Cabinet. The enclosure class is IP54.

The following signals will usually be led to the ship's automation system: HI-FOG system activated, pump unit fault, out of water in break water tank. In addition, the start request to the external feed water pump is given if the starter of the feed water pump is not in the starter cabinet.

The starter cabinet is equipped with necessary devices to master the optional Water Accumulator Unit control.

When ordering the SPU, the Starter Cabinet must be defined separately (various voltage, frequency and other options available). Other hardware options and possible FDS connections must also be defined when ordering the unit.

#### Options for

**SPU 2 140-140/97 SEP xx,  
SPU 2 140-80/97 SEP xx**

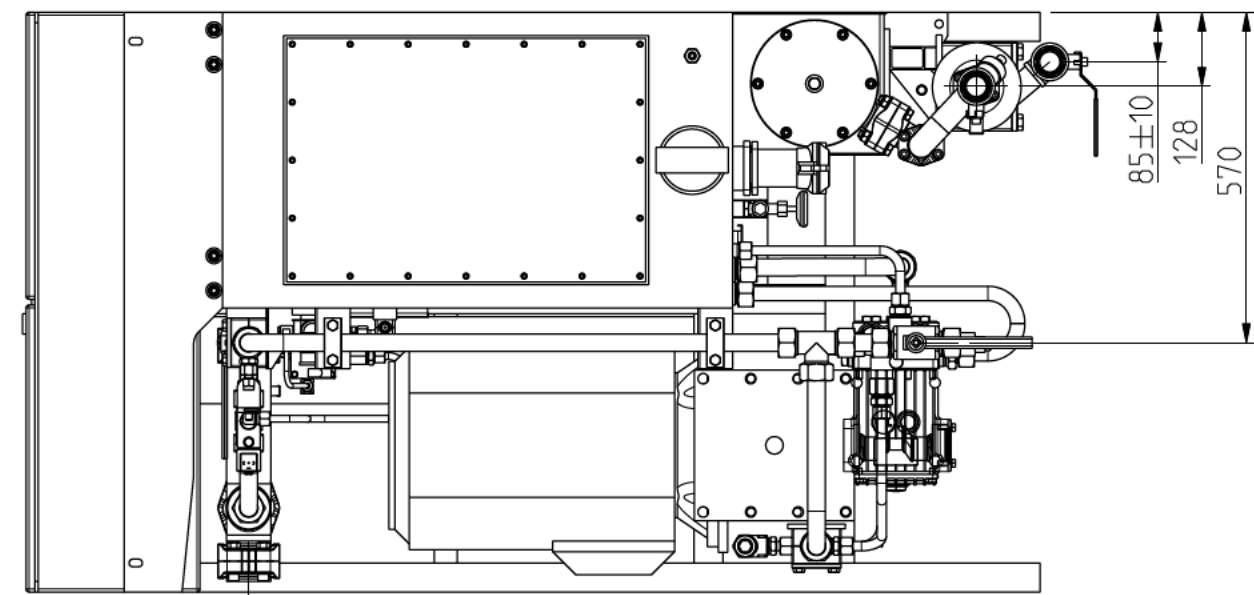
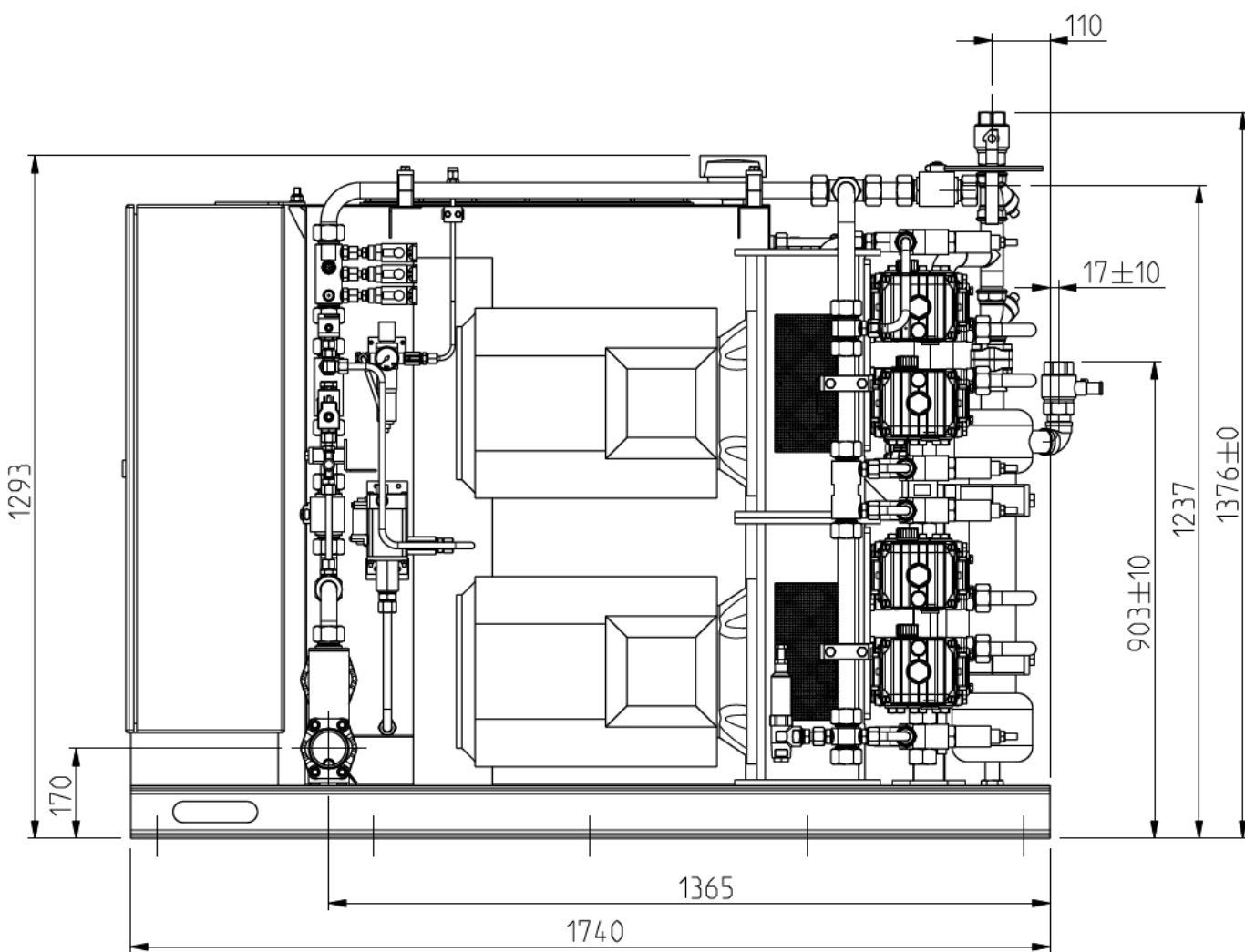
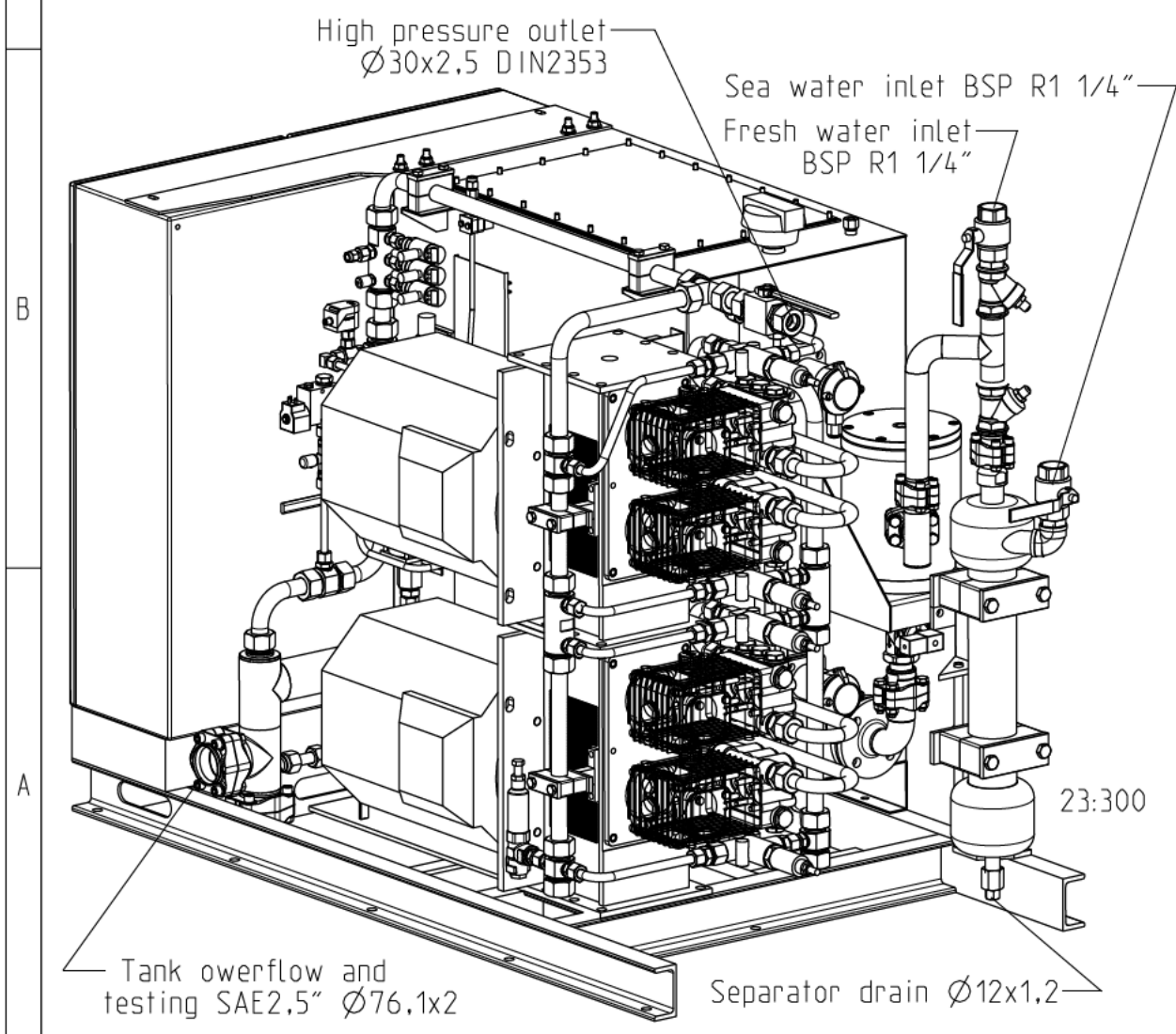
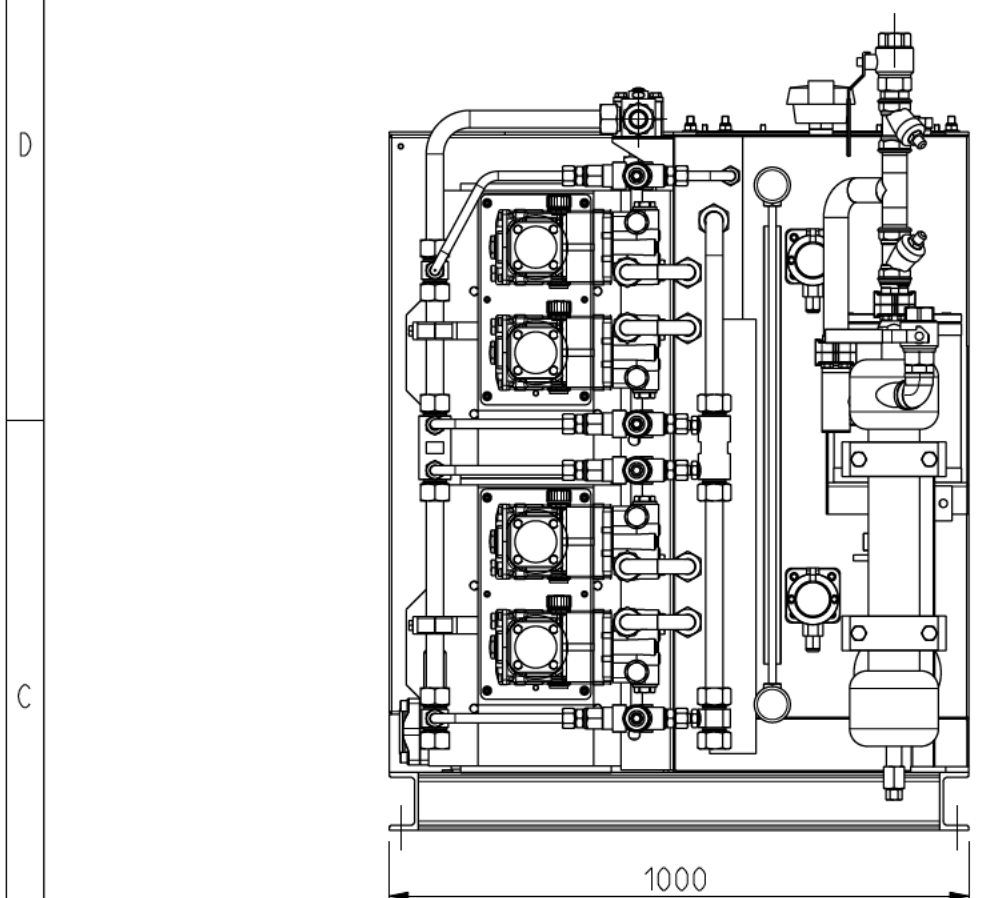
Feed water pump starter in the Starter Cabinet.  
Soft starters for each high pressure pump motors to reduce the starting current of the motors.  
Stand-by heaters for the motors.

#### Voltage and Frequency options (to be defined when ordering)

**140-80 bar units, 2 x 15,5 kW, total 31 kW  
140-140 bar units, 2 x 27 kW, total 54 kW**

690 VAC 50 Hz  
400 VAC 50 Hz  
380 VAC 50 Hz

690 VAC 60 Hz  
440 VAC 60 Hz



B	Säiliö	20.08.07	PH	0000733
Rev.	Reason of Reviewing	Date	Reviewed	CN Ref.No
Marioff Corporation Oy P.O.Box 25 FIN-01511 Vantaa Tel. +358-9-870851 Fax +358-9-87085399		Name <b>PUMP UNIT SPU2-SEP</b>		Mass <b>0.000 kg</b>
Scale	Drw no	Product	Appd	
23:300	DMAUSP001900B	E01219.1	Release level <b>WIP</b>	
Units mm	General Tolerance	Replaces	Sheet no <b>1/2</b>	
Drawing 001900_SPU2-SEP	Model 001900_SPU2-SEP			
This drawing is a property of Marioff Corp. It is not to be disclosed, traced, copied or published without our written consent. Not to be misused in any way				