



Technical Data Sheet TC0170

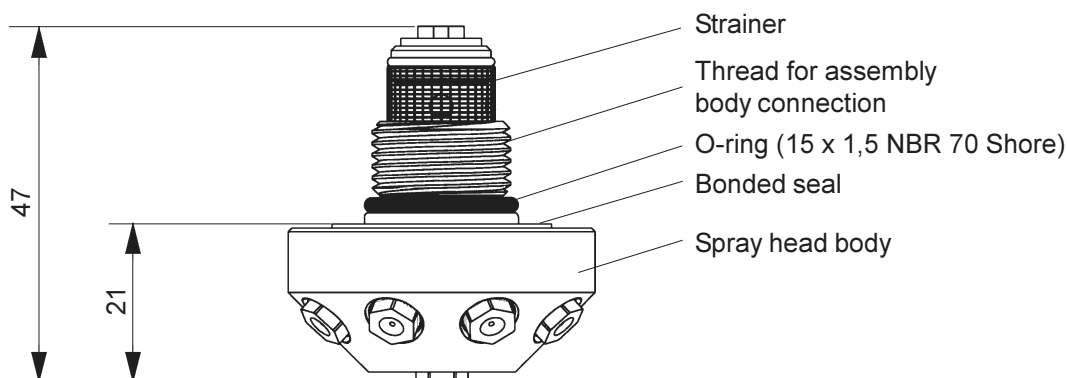
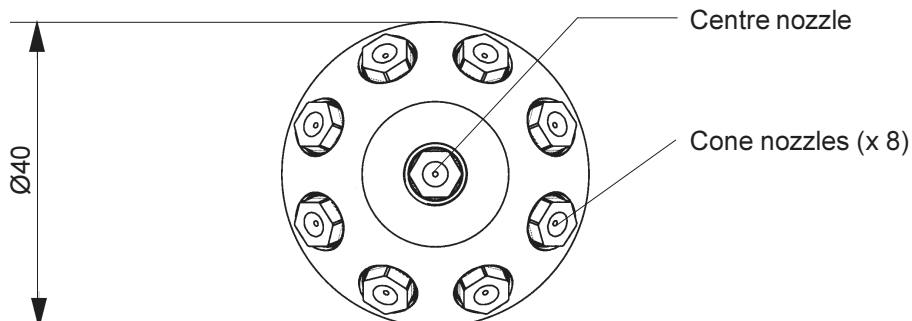
Spray Head Type 4S 1MC 8MC 1000



Stock code C31121

TA

10 Mar 2004



General	Body material	Stainless steel
	Mass	0,155 kg
	K-factor	3,9 lpm/bar ^{0,5}
Installation	Location	Ceiling
	Projection	Pendent
	Max. ceiling height*	5 m
	Max. spacing*	5 m
Typical application	Land	Flammable liquid hazards
	Marine	Total protection of machinery spaces

*) Application specific

Marioff Marioff Corporation Oy, P.O. Box 86, Virnatie 3, FIN-01301 Vantaa, Finland,
tel +358 9 870 851, fax +358 9 8708 5399, e-mail info@marioff.fi, www.hi-fog.com

Marioff Corporation Oy reserves the right to revise and improve its products and recommended system configurations as it deems necessary without notification. The information contained herein is intended to describe the state of HI-FOG products and system configurations at the time of its publication and may not reflect the product and/or system configurations at all times in the future.