



HI-FOG®

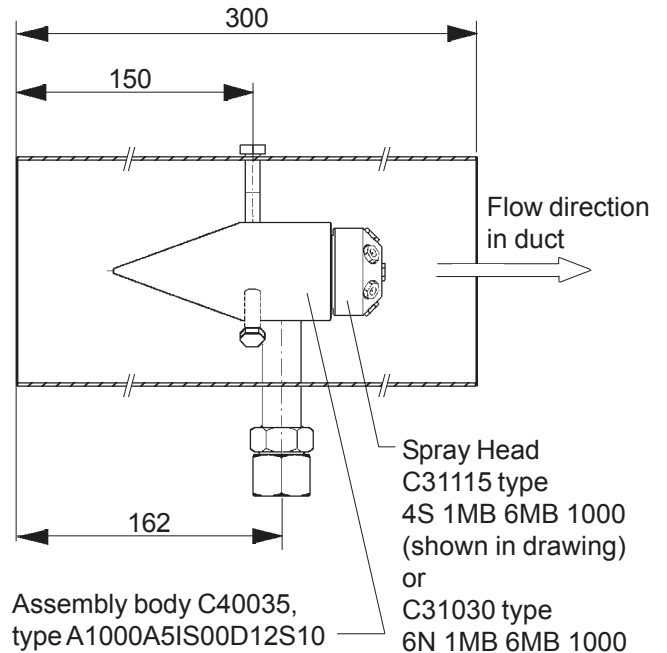
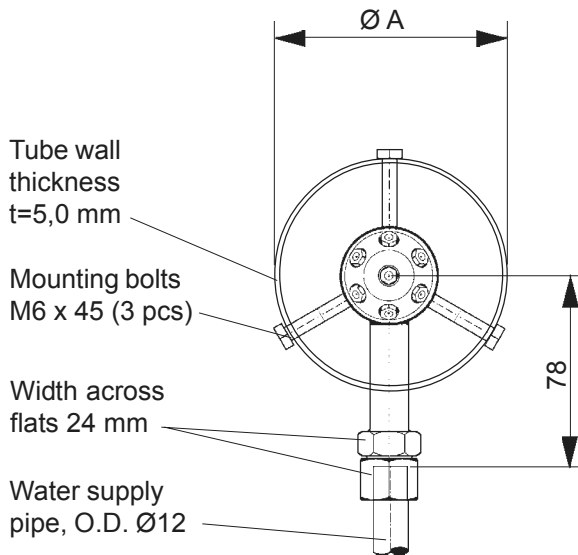
Technical Data Sheet TC8151

Smoke scrubbing spray head sets

Stock codes C40036, C40036.1 and C40037

03 Sep 2004

Stock code	Tube material	Ø A [mm]
C40036, C40036.1	PPS plastic	110
C40037	Galvanized steel	100



C40036 (C40036.1) includes:

C40035 Assembly body
C31115 (C31030 for C40036.1) Spray head
PPS tube and mounting bolts (3 pcs)

C40037 includes:

C40035 Assembly body
C31115 Spray head
Galvanized steel tube and mounting bolts (3 pcs)

General	Assembly body material	Brass (see sheet TC8150)
	Spray head material	Stainless steel (C31115, see data sheet TC0140) Brass, Ni plated (C31030, see data sheet TC9816)
	Tube material	PPS plastic. Galvanized steel in C40037
	Mass	0,9 kg
Installation	Location	As a duct piping section
	Projection	Horizontal or vertical (flow direction downwards)
	Water supply connection	Cutting ring and nut DIN2353
	Connection to duct piping	Muff joint J05025
Other features	The smoke scrubbing spray head set for DAU and SAU smoke scrubbing systems.	



Marioff Corporation Oy, P.O. Box 86, Virratie 3, FIN-01301 Vantaa, Finland,
tel +358 9 870 851, fax +358 9 8708 5399, e-mail info@marioff.fi, www.hi-fog.com