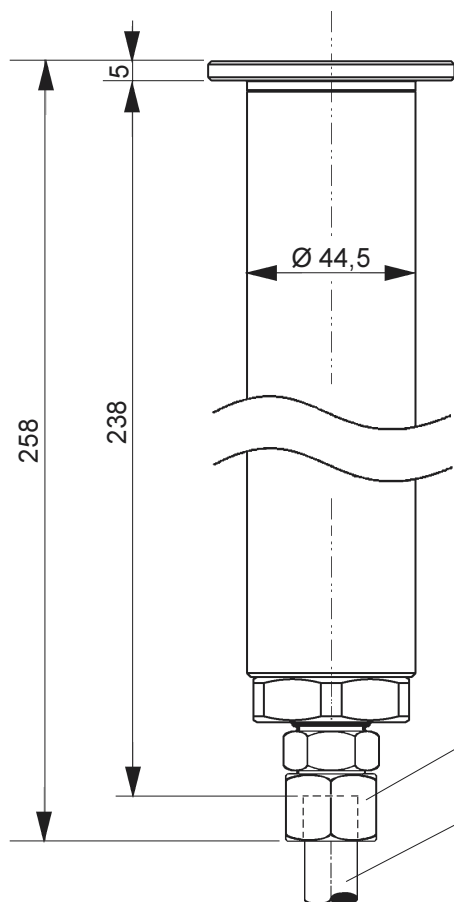


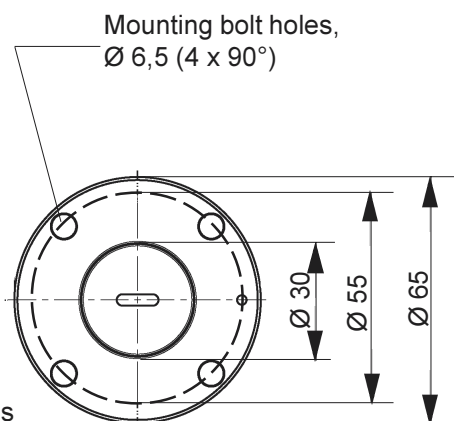
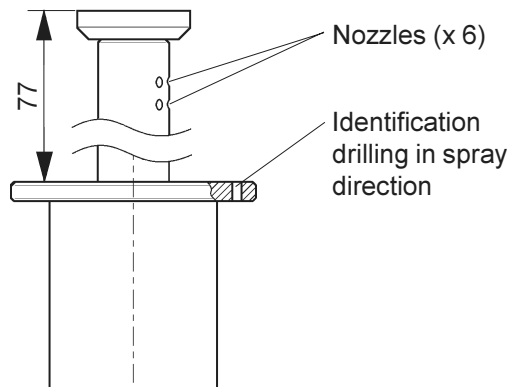


### Spray head stand-by

When activated, the hydraulic operation lifts the spray head from inserted stand-by position



### Spray head fully ejected



<b>General</b>	Body material	Brass
	Mass	2,46 kg
	K-factor	1,3 lpm/bar <sup>0.5</sup>
<b>Installation</b>	Location	Flush with the duct inner surface
	Projection	Along the duct flow direction
	Max. duct cross section area*	□ 0,7 m x 0,7 m or Ø 0,7 m
	Max. spacing*	10 m
<b>Typical application</b>		Galley and laundry ducts

\*) Application specific