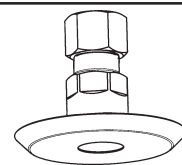




Technical Data Sheet TC8110

Assembly Body Set A1000A1AT11D12S10

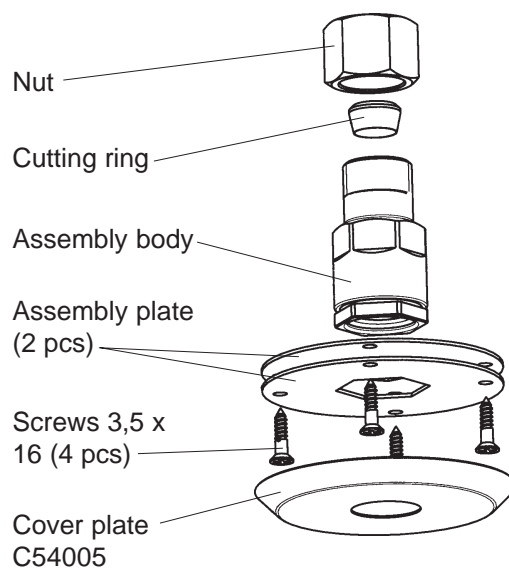
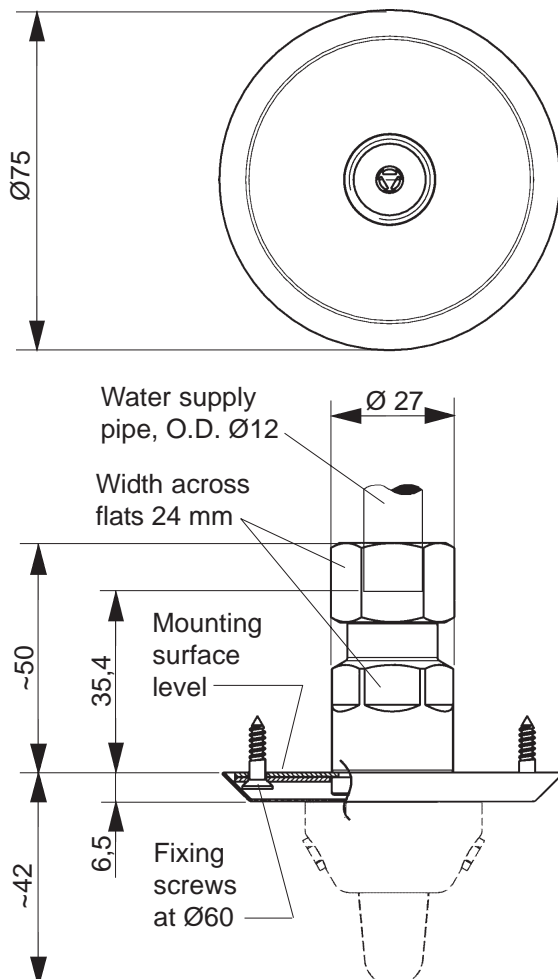


Stock code C40022.1

TA

16 Sep 2003

Sprinkler Assembly Body Set for HI-FOG 1000 series Sprinklers and Spray Heads



General	Body material	Brass
	Cover plate material	Stainless steel
	Cover plate finish	Polished metal
	Mass	0,19 kg
Installation	Location	Ceiling or wall
	Projection	Pendent or horizontal
Other features	Automatic stop valve allowing the sprinkler change without unpressurizing the system.	

Marioff Marioff Corporation Oy, P.O. Box 86, Virnatie 3, FIN-01301 Vantaa, Finland,
tel +358 9 870 851, fax +358 9 8708 5399, e-mail info@marioff.fi, www.hi-fog.com