



Technical Data Sheet TC8410

Assembly Body Set A2000 N1A T1 V D12S10

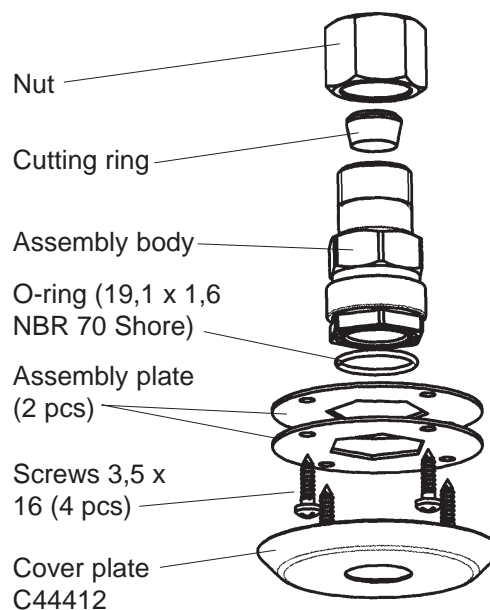
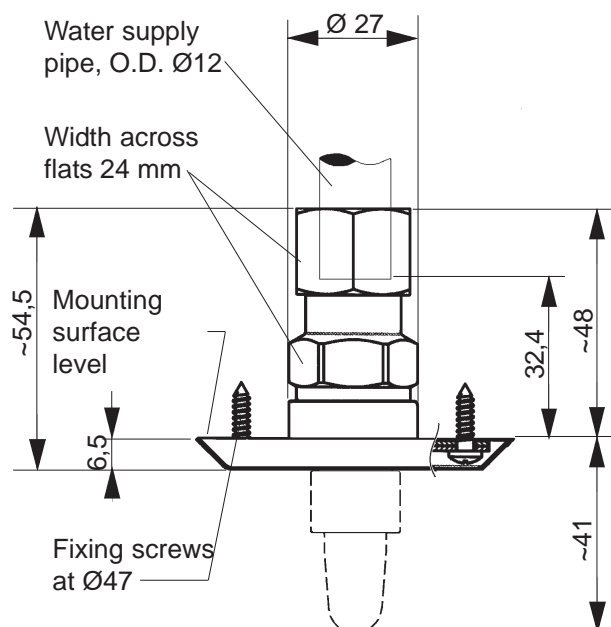
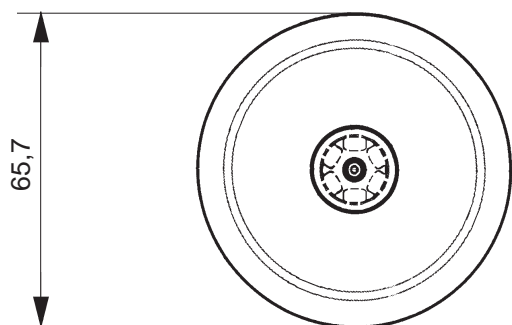


Stock code C44096

TA

16 Sep 2003

Sprinkler Assembly Body Set for HI-FOG 2000 Sprinklers



General	Body material	Brass
	Body finish	Nickel
	Cover plate material	Stainless steel
	Cover plate finish	Polished metal
	Mass	0,19 kg
Installation	Location	Ceiling or wall
	Projection	Pendent or horizontal
Other features	Automatic stop valve allowing the sprinkler change without unpressurizing the system.	

Marioff Marioff Corporation Oy, P.O. Box 86, Virnatie 3, FIN-01301 Vantaa, Finland,
tel +358 9 870 851, fax +358 9 8708 5399, e-mail info@marioff.fi, www.hi-fog.com