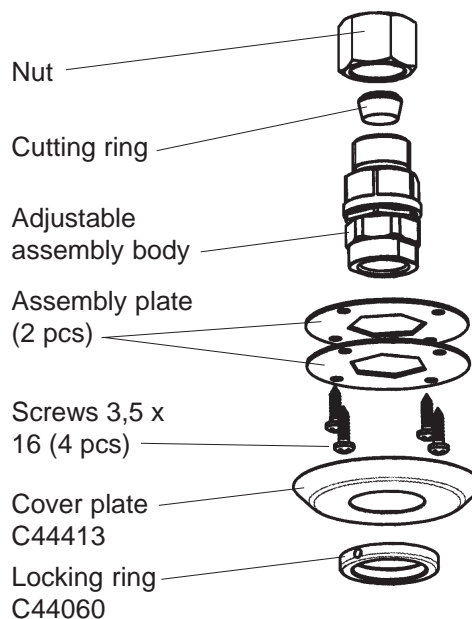
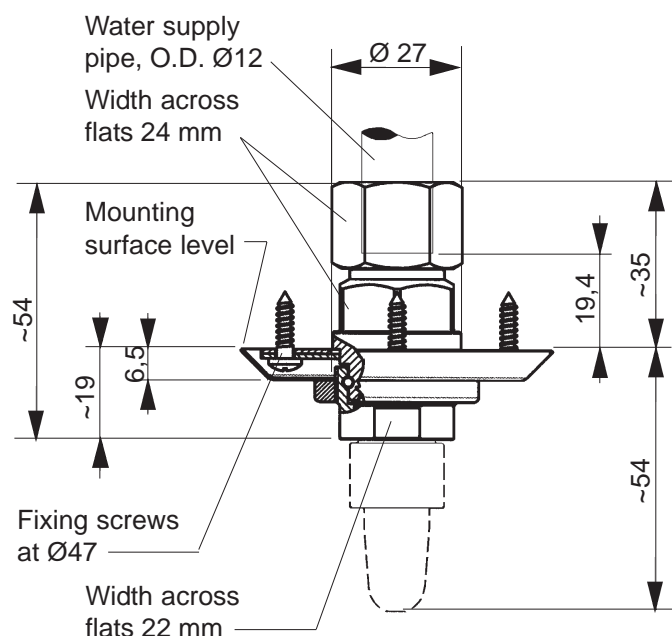
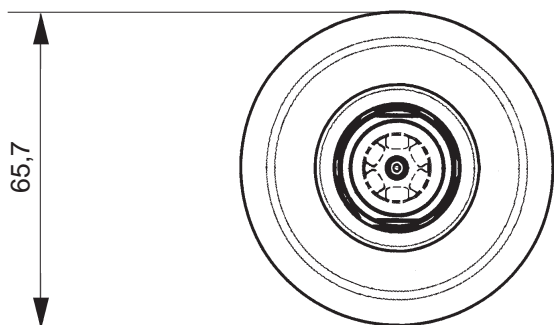




Sprinkler Assembly Body Set for HI-FOG 2000 Sprinklers



General	Body material	Brass
	Body finish	Nickel
	Cover plate material	Stainless steel
	Cover plate finish	Polished metal
	Mass	0,19 kg
Installation	Location	Ceiling or wall
	Projection	Pendent or horizontal
Other features	Adjustable sprinkler mounting, 360° turnable around the center line. Automatic stop valve allowing the sprinkler change without unpressurizing the system.	