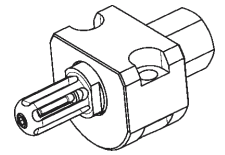




HI-FOG®

Technical Data Sheet TC8911

# Heat Release Sprinkler Valve

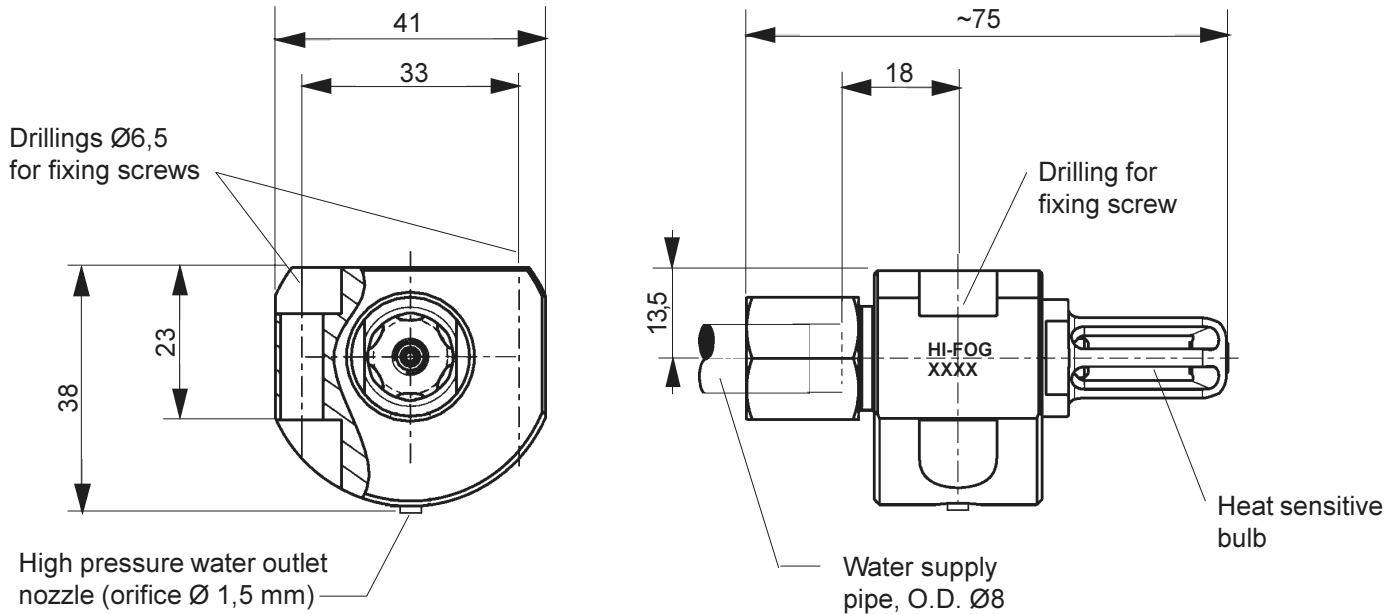


Product C33056

28 Nov 2002

## Heat Release Sprinkler Valve

Product	Type code	Heat sensitive bulb
C33056	RRS-68C/8S/0	68 °C (red color)



Heat release sprinkler valve is used when the heat to release the system is to be in another position than the sprinkler or spray head. For example in enclosures where the false ceiling requires the sprinklers to be mounted at false ceiling level but the heat detection and thus the sprinkler activation must be based on the temperature level just below the ceiling.

When the heat sensitive bulb breaks, the water starts to flow coming out from the valve through the water outlet nozzle, causing the water flow in the system and thus activating the selection valve.

<b>General</b>	Body material	Brass
	Finish	Nickel
	Mass	0,40 kg
<b>Installation</b>	Location	At position where "release heat" is expected
	Projection	Pendent or horizontal
<b>Capacity</b>	Flow capacity	Outlet water flow K-factor about 1,6 lpm/bar <sup>0.5</sup>

**Marioff** Marioff Corporation Oy, P.O. Box 86, Virnatie 3, FIN-01301 Vantaa, Finland,  
tel +358 9 870 851, fax +358 9 8708 5399, e-mail info@marioff.fi, www.hi-fog.com

Marioff Corporation Oy reserves the right to revise and improve its products and recommended system configurations as it deems necessary without notification. The information contained herein is intended to describe the state of HI-FOG products and system configurations at the time of its publication and may not reflect the product and/or system configurations at all times in the future.