

Bulkhead penetration sealings Roxtec RS



Stock codes A41000, A41010, A41030 and A41070

29 Apr 2009

Stock code	Type	A [mm]	B [mm]	C [mm]	D [mm]	Mass [kg]
A41000	Roxtec RS-31	4 - 17	31	81	31-32	0,1
A41010	Roxtec RS-43	4 - 23	43	81	43 - 44	0,25
A41030	Roxtec RS-68	26 - 48	68	81	68 - 70	0,50
A41070	Roxtec RS-125 Special	58 - 98	125	87	125 - 127	1,23

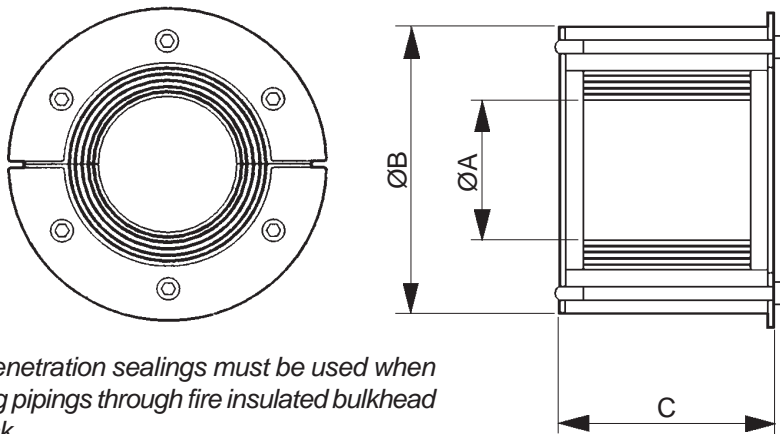
A = pipe outer diameter range

B = sealing outer diameter

C = sealing length

D = sleeve recommended inner diameter *)

*) see sleeves in sheet 2 of 2



Note:
Sealings are supplied with corresponding sleeves (aluminium or mild steel). When ordering, please state the sleeve type also.

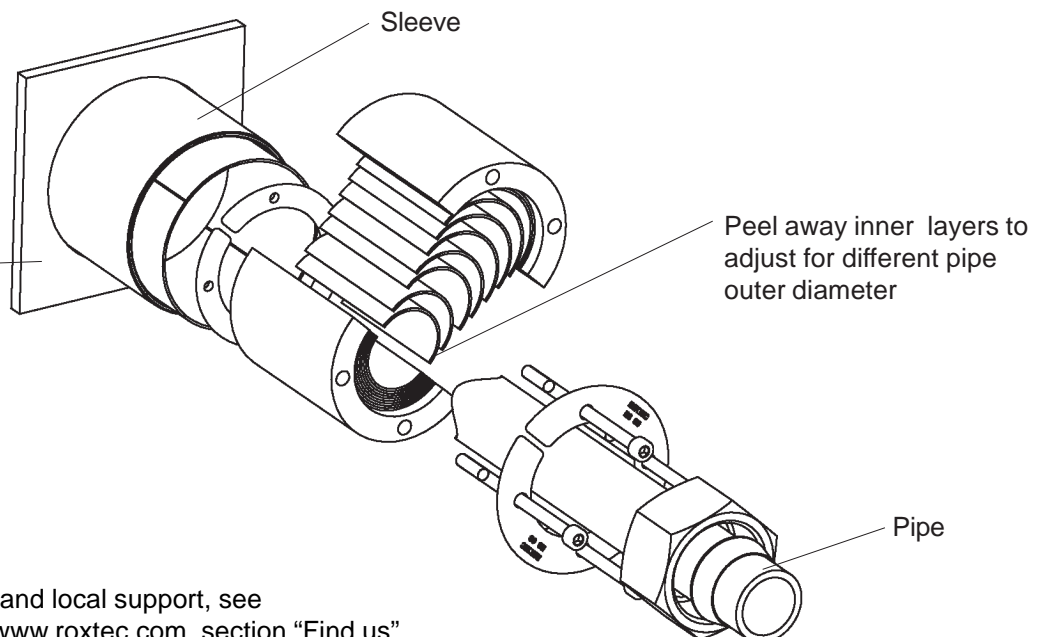
The penetration sealings must be used when guiding pipings through fire insulated bulkhead or deck.

Installation example:

A-class or water tight bulkhead or deck (water tight double side welded and plugged)

Sealings are watertight to 4 bar pressure

Insulation according to bulkhead or deck fire insulation class



For further information and local support, see manufacturer's site at www.roxtec.com, section "Find us"



Bulkhead penetration sleeves for Roxtec RS

Stock codes A410XX (X: see tables below)

29 Apr 2009

Primed mild steel sleeves:

Stock code	Type	Material	A [mm]	B [mm]	C [mm]	Mass [kg]
A41001	Roxtec SLRS31 for RS-31 (A41000)	Fe [*]	32	40	35±1	0,1
A41016	Roxtec SLRS 43 for RS-43 (A41010)	Fe [*]	44	52	65±1	0,32
A41036	Roxtec SLRS 68 for RS-68 (A41030)	Fe [*]	69	83	65±1	0,35
A41076	Roxtec SLRS 125 for RS-125 Special (A41070)	Fe [*]	125,5	139,7	65±1	1,54

A = sleeve inner diameter
 B = sleeve outer diameter
 C = sleeve length

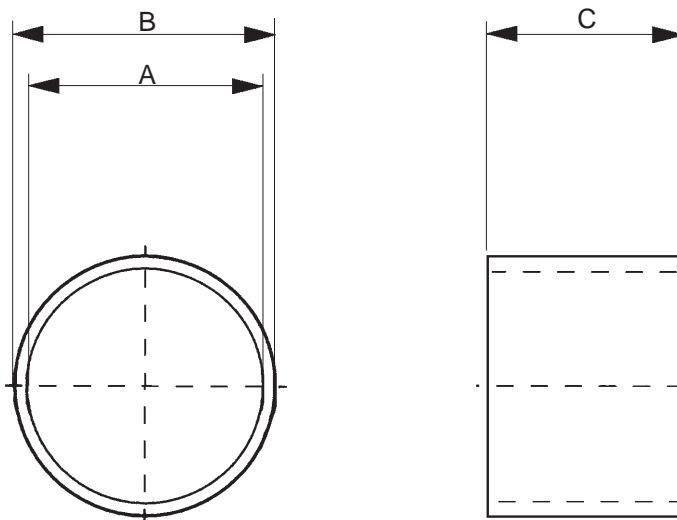
^{*}) Material DIN 2448/17121.St 52-3N

Aluminium sleeves:

Stock code	Type	Material	A [mm]	B [mm]	C [mm]	Mass [kg]
A41017	Roxtec SLRS 43 ALU for RS-43 (A41010)	Al [*]	44	50	65±1	0,09
A41037	Roxtec SLRS 68 ALU for RS-68 (A41030)	Al [*]	69	83	65±1	0,13
A41077	Roxtec SLRS 125 ALU for RS-125 Spe (A41070)	Al [*]	125	135	65±1	0,40

A = sleeve inner diameter
 B = sleeve outer diameter
 C = sleeve length

^{*}) Material AW 6063 T6 EN



Note:
 Sealings are supplied with corresponding sleeves (aluminium or mild steel). When ordering, please state the sleeve type also.



Marioff Corporation Oy • Virratie 3 / P.O.Box 86, FI-01301 Vantaa, Finland
 Tel. +358 (0)9 870 851 • Fax +358 (0)9 8708 5399 • www.marioff.com