



HI-FOG®

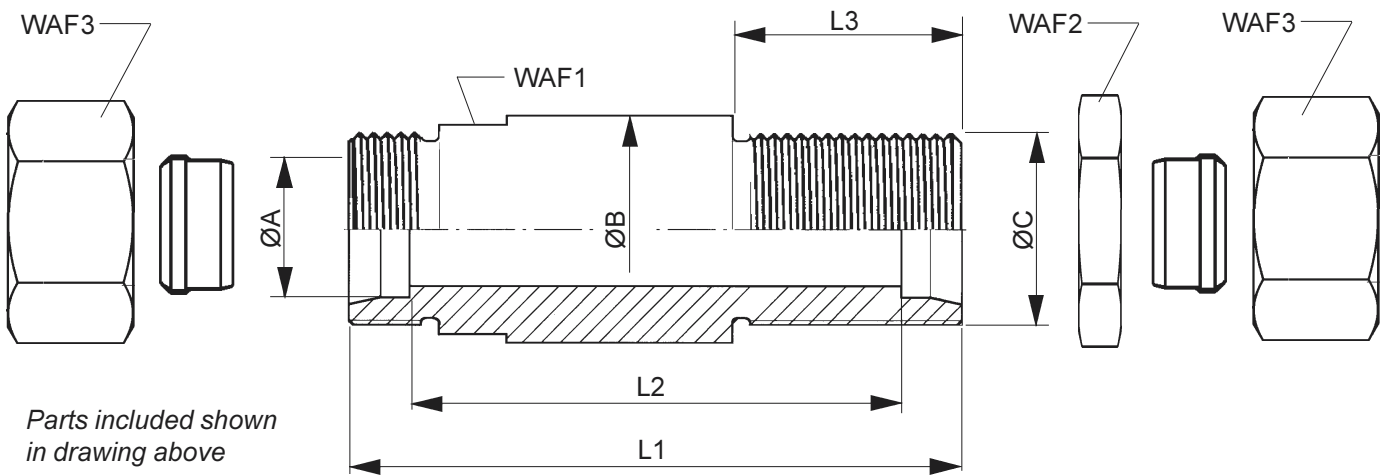
Technical Data Sheet TB3020

Straight bulkhead penetrations

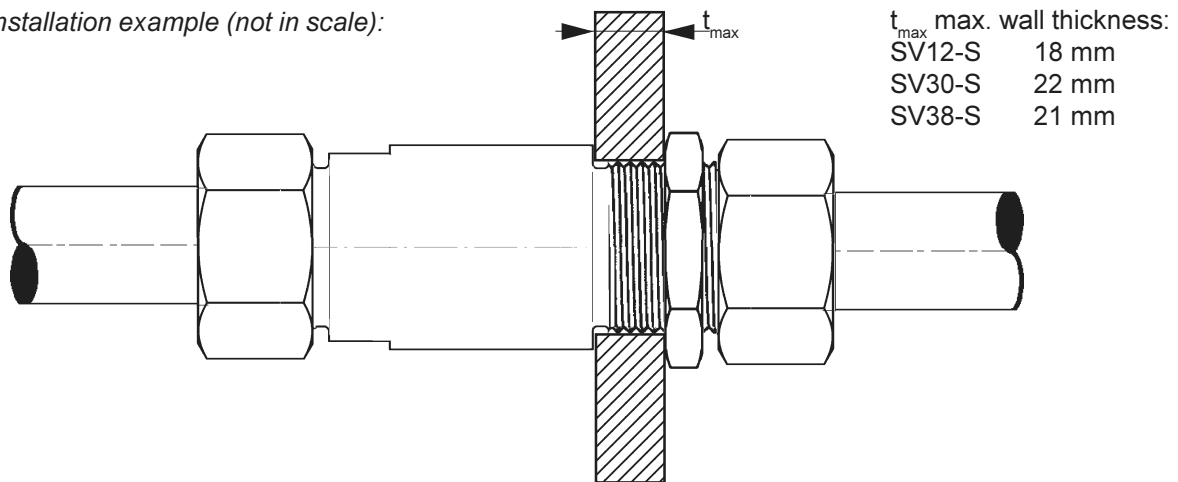
Stock codes B023xx (x: see table below)

03 Nov 2003

Stock code	Type	Mass	ØA	ØB	ØC	L1	L2	L3	WAF1	WAF2	WAF3
B02310	SV12-S AISI	0,43 kg	12	30	20	100	85	36	24	27	24
B02325	SV30-S AISI	1,65 kg	30	50	42	136	109	51	46	50	50
B02330	SV38-S AISI	3,83 kg	38	63	52	200	168	53	55	65	60



Installation example (not in scale):



General	Body material	Stainless steel
Installation	Connections	Cutting ring DIN 2353

Marioff Marioff Corporation Oy, P.O. Box 86, Virnatie 3, FIN-01301 Vantaa, Finland,
tel +358 9 870 851, fax +358 9 8708 5399, e-mail info@marioff.fi, www.hi-fog.com