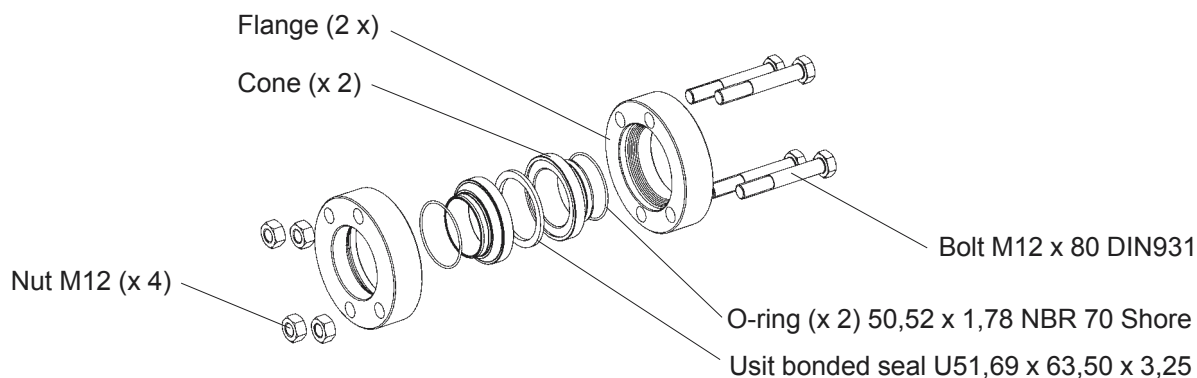
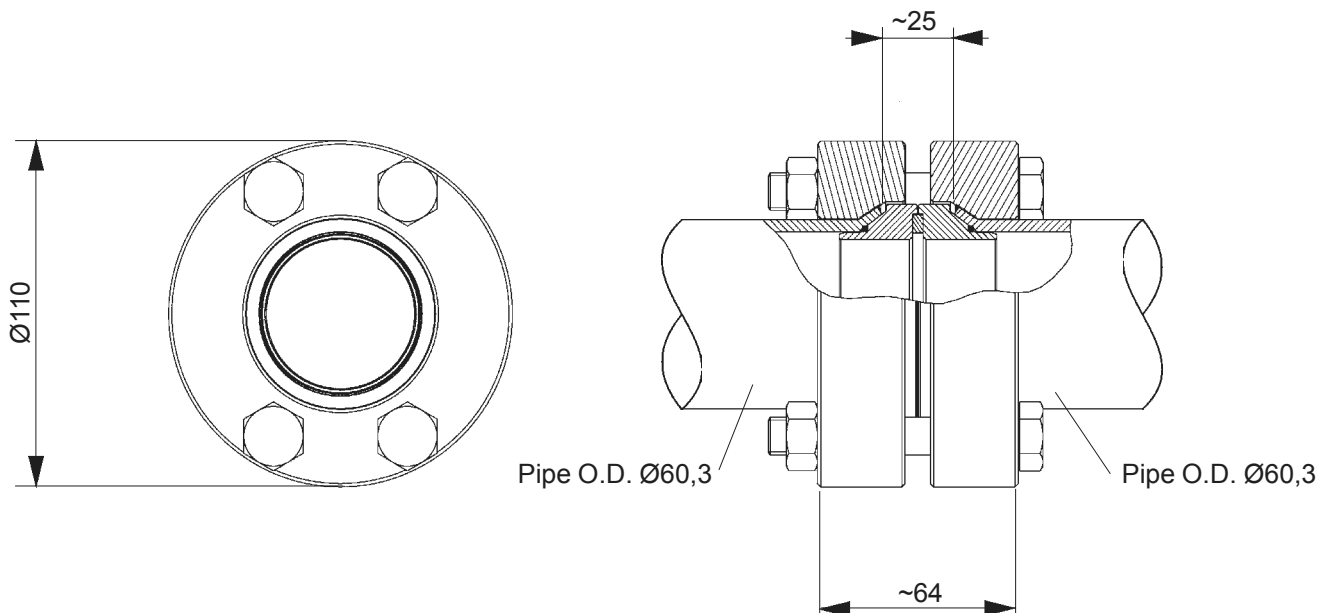
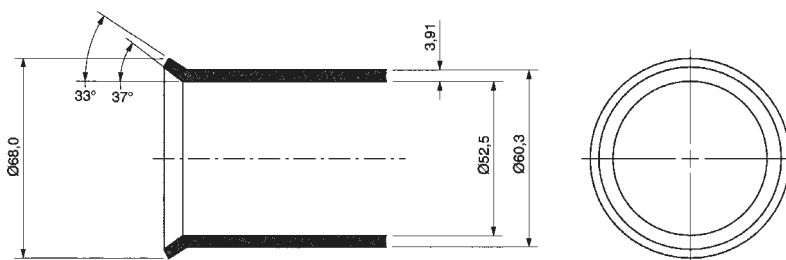


### Type 6132-F 60,3 x 3,91 FC



Pipe moulding instruction  
for Straight fitting assembly  
type 6132-F 60,3 x 3,91 FC



<b>General</b>	Body material	Flanges - Steel, Zn finishing Cones - Brass
	Max. pressure	200 bar
	Mass	3,36 kg