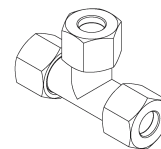




T-joint assemblies

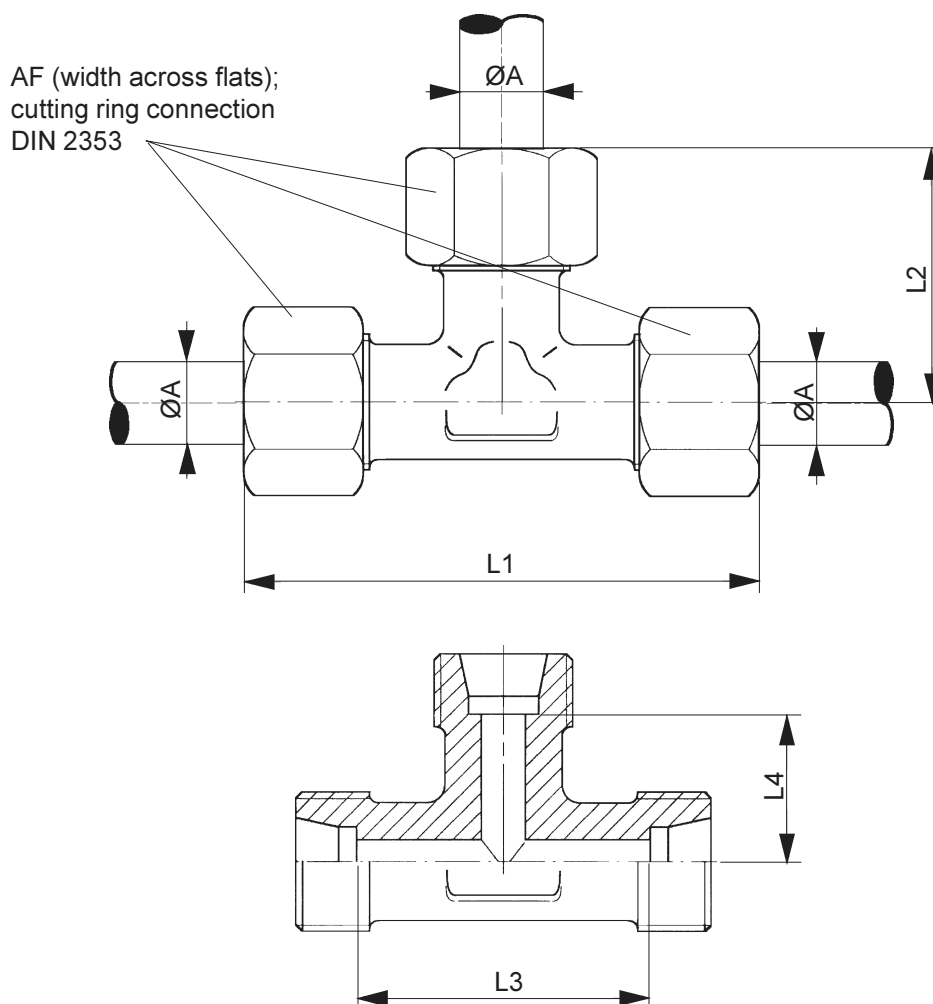


Stock codes B031xx (x: see table below)

12 Feb 2004

Product	Type	Mass	ØA	L1	L2	L3	L4	AF
B03115	T12-S AISI	0,22 kg	12	76	38	43	21,5	24
B03120	T16-S AISI	0,40 kg	16	86	43	49	24,5	30
B03125	T25-S AISI	0,91 kg	25	110	55	60	30,0	46
B03130	T30-S AISI	1,40 kg	30	124	62	71	35,5	50
B03135	T38-S AISI	2,10 kg	38	144	72	82	41,0	60

Cutting rings and nuts are included in the products mentioned in the table.



General	Body material	Stainless steel
	Max. working pressure	300 bar
Installation	Connections	Cutting ring DIN 2353

Marioff Marioff Corporation Oy, P.O. Box 86, Virnatie 3, FIN-01301 Vantaa, Finland,
tel +358 9 870 851, fax +358 9 8708 5399, e-mail info@marioff.fi, www.hi-fog.com