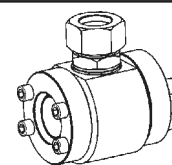




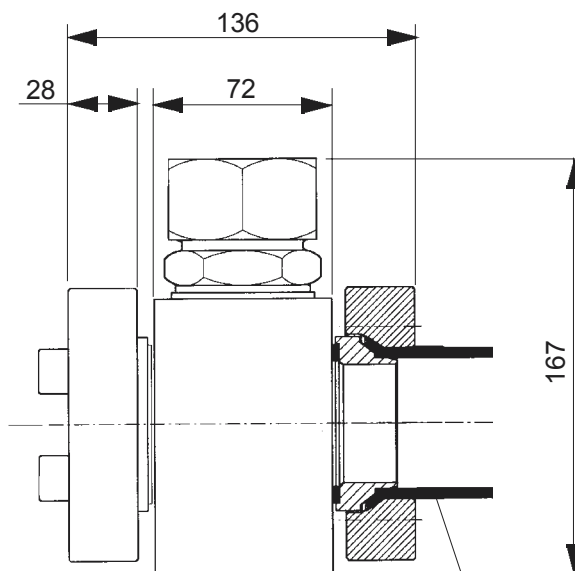
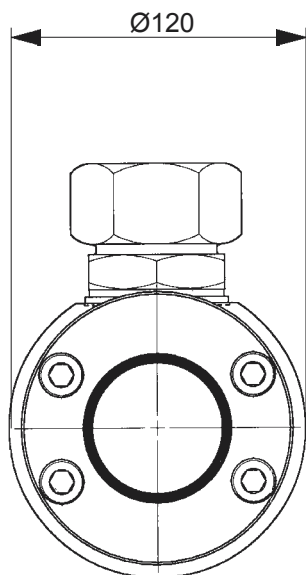
Technical Data Sheet TB3401

Flare T-joint assembly type 60/38-S/60



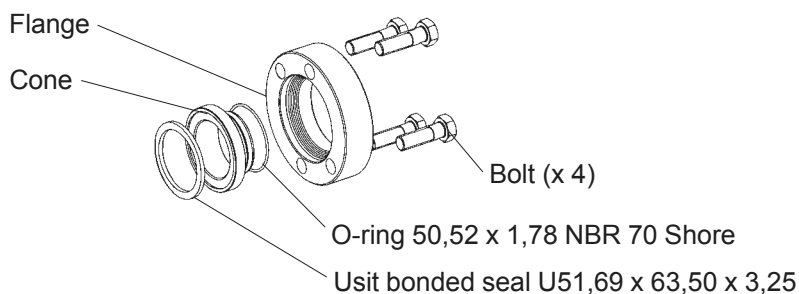
Stock code B04205

07 Nov 2005

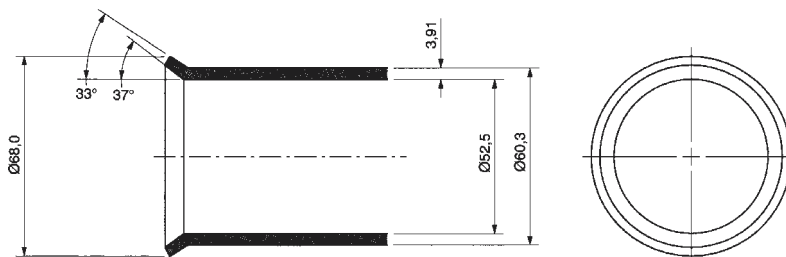


Pipe O.D. Ø60,3 x 3,91
(not included in supply)

Pipe connection structure



Pipe moulding instruction



General	Body material	Joint body - Stainless steel Flanges - Steel, Zn finishing Cones - Brass
	Max. pressure	190 bar

Marioff Marioff Corporation Oy, P.O. Box 86, Virnatie 3, FIN-01301 Vantaa, Finland,
tel +358 9 870 851, fax +358 9 8708 5399, e-mail info@marioff.fi, www.hi-fog.com