



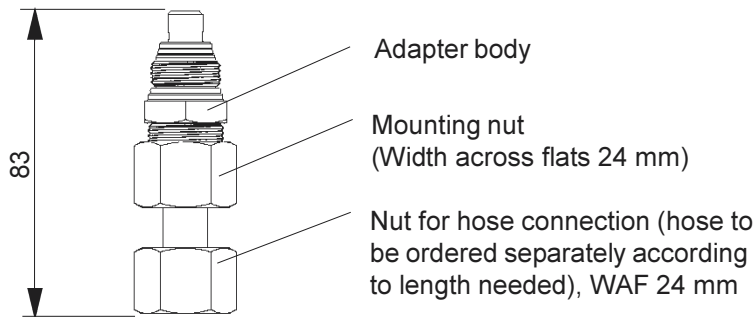
HI-FOG®

Technical Data Sheet TC9701

## Sprinkler Flushing Tool assembly

Stock code C55030

16 Apr 2003



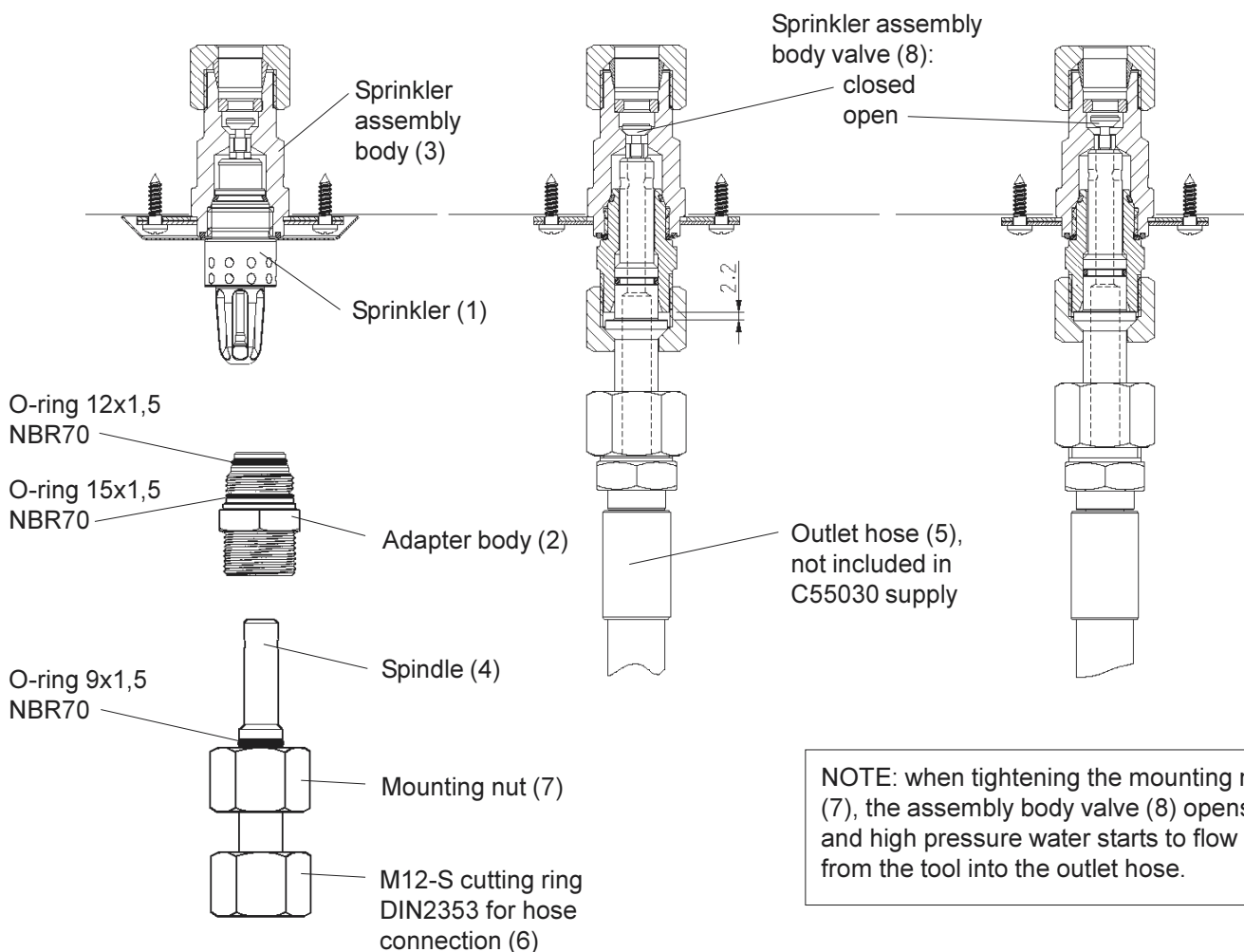
83

Mass: 0,16 kg

Max. working pressure 140 bar.

The hose end must be open, no valves to be used.

Suitable for HI-FOG 1000 and 2000 series sprinklers.



NOTE: when tightening the mounting nut (7), the assembly body valve (8) opens and high pressure water starts to flow from the tool into the outlet hose.

1. Remove the sprinkler (1)
2. Screw the adapter body (2) into the assembly body (3). Do not overtighten.
3. Carefully insert the spindle (4) into the adapter body (2). Do not fully tighten the nut yet.
4. Make sure that the outlet hose (5) is connected to the connection (6). The hose must not be blocked.
5. Tighten the mounting nut (7) to open the valve (8) in the sprinkler assembly body. High pressure water flow starts when valve opens.
6. In order to stop flushing, carefully open the mounting nut (7) and remove the flushing tool after the water flow stops.

**Marioff** Marioff Corporation Oy, P.O. Box 86, Virratie 3, FIN-01301 Vantaa, Finland,  
tel +358 9 870 851, fax +358 9 8708 5399, e-mail info@marioff.fi, www.hi-fog.com