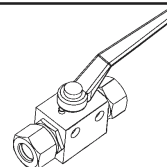




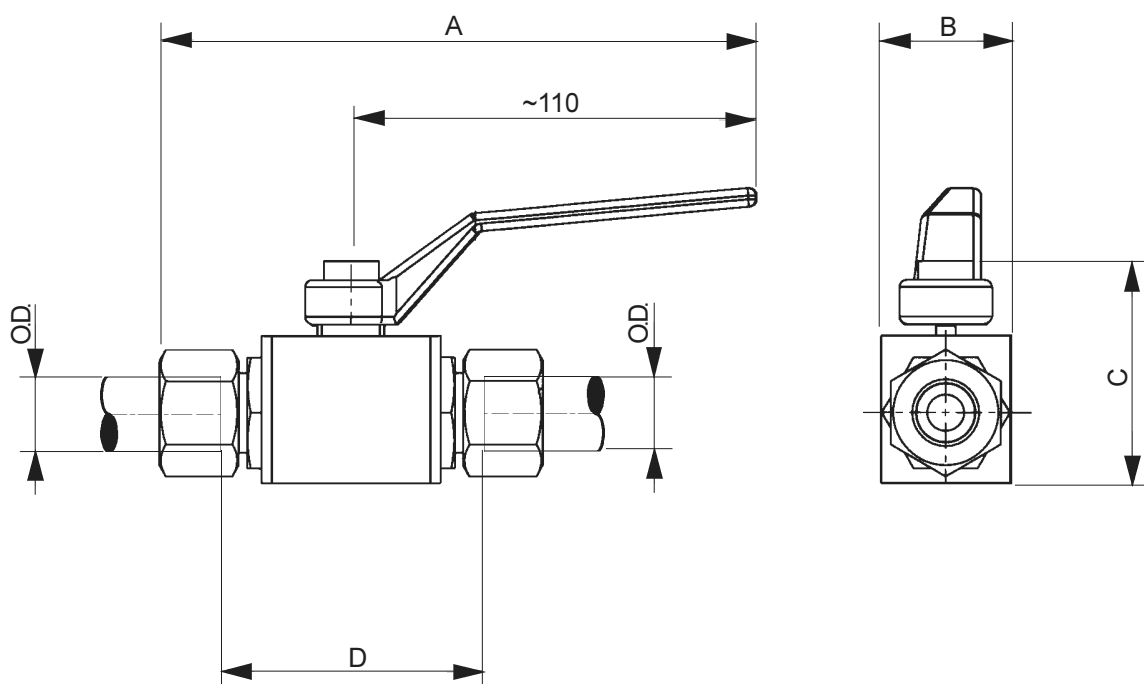
Ball Valves BKH12S and BKH16S



Stock codes D30005 and D30015

24 Oct 2002

Stock codes	Valve type	A [mm]	B [mm]	C [mm]	D [mm]	O.D. [mm]	Mass [kg]
D30005	BKH12S	~156	26	53	61,0	12	0,48
D30015	BKH16S	~162	35	60	67,5	16	0,78



Description:

The ball valve is used to control the fluid flow in piping.

General	Body material	Stainless steel
	Sealing material	Buna-N and POM-MoS ₂
	Connections	Cutting ring DIN2353
	Max. working pressure	200 bar
	Valve manufacturer	MHA Zentgraf

For further information, see the manufacturer's site www.mha-zentgraf.com.