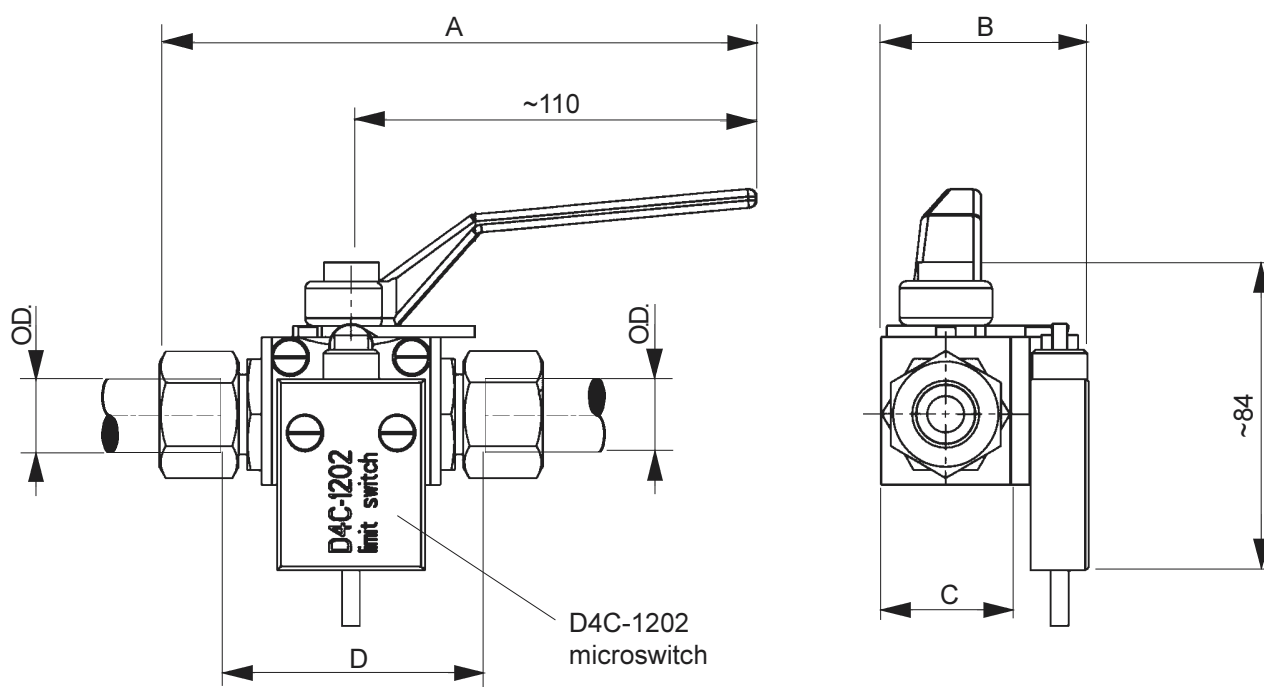


Stock code	Valve type	Voltage max.	A [mm]	B [mm]	C [mm]	D [mm]	O.D. [mm]	Mass [kg]
D30005.1	BKH12S + microswitch	300	~156	~48	26	61,0	12	0,48
D30015.1	BKH16S + microswitch	300	~162	~56	35	67,5	16	1,23



Description:

The ball valve is used to control the fluid flow in piping.

The microswitch contacts can be set to closed or open when the valve is either open or closed.

General	Property	Value
	Body material	Stainless steel
	Sealing material	Buna-N and POM-MoS ₂
	Connections	Cutting ring DIN2353
	Max. working pressure	200 bar
	Valve manufacturer	MHA Zentgraf
	Microswitch manufacturer	Omron

For further information, see the manufacturer's sites www.omron.com and www.mha-zentgraf.com.