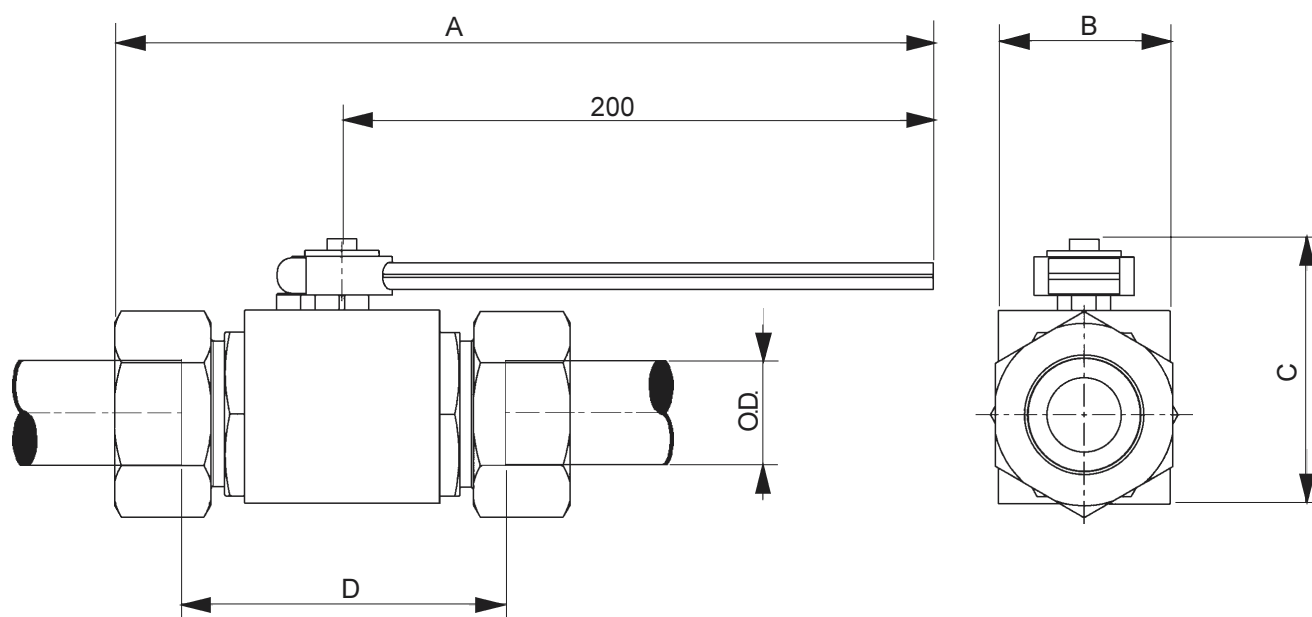


Stock code	Valve type	A [mm]	B [mm]	C [mm]	D [mm]	O.D. [mm]	Mass [kg]
D30020	BKH25S	~268	49	76	85,0	25	2,06
D30025	BKH30S	~277	58	89	92,2	30	2,67
D30030	BKH38S	~277	58	89	94,1	38	3,08



Description:

The ball valve is used to control the fluid flow in piping.

General	Body material	Stainless steel
	Sealing material	Buna-N and POM-MoS ₂
	Connections	Cutting ring DIN2353
	Max. working pressure	200 bar
	Valve manufacturer	MHA Zentgraf

For further information, see the manufacturer's site www.mha-zentgraf.com.