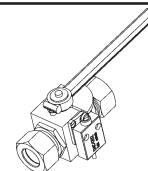




Technical Data Sheet TD8132
**Ball Valves BKH25S, BKH30S and BKH38S
 with microswitch**

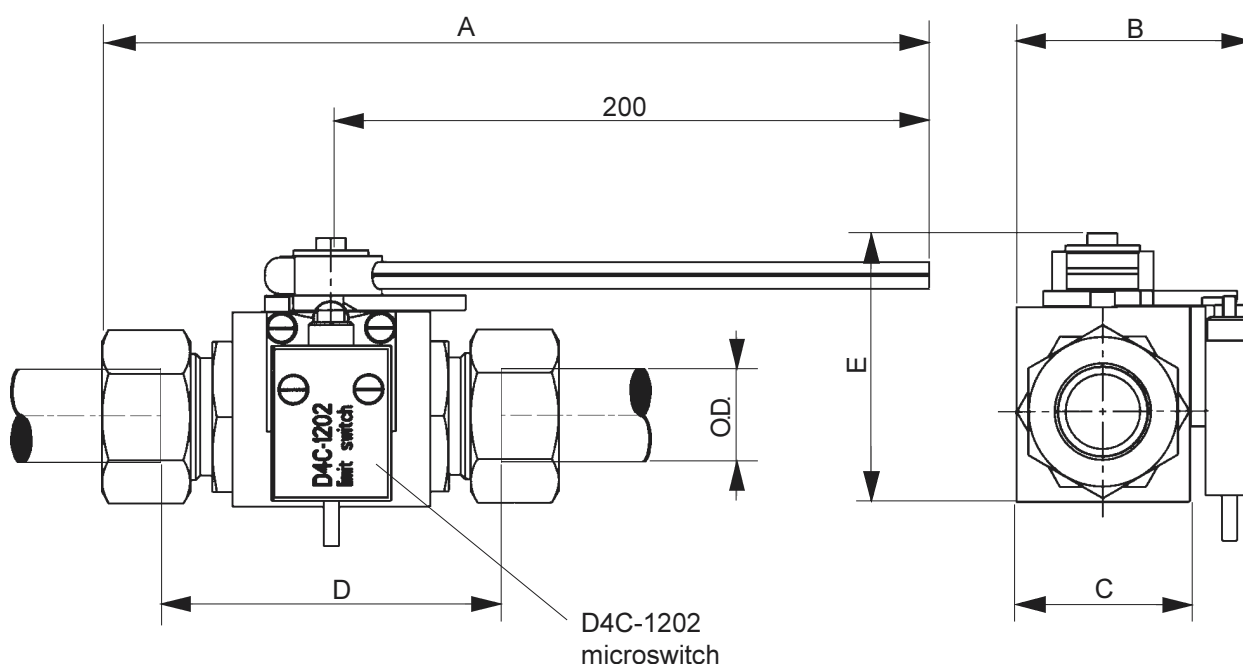


Stock codes D30025.1, D30030.1 & D31045.1

TA

24 Feb 2003

Stock code	Valve type	Voltage max.	A [mm]	B [mm]	C [mm]	D [mm]	E [mm]	O.D. [mm]	Mass [kg]
D31045.1	BKH25S + microswitch	300	~268	~74	49	85,0	~81	25	2,94
D30025.1	BKH30S + microswitch	300	~277	~79	58	92,2	~89	30	3,16
D30030.1	BKH38S + microswitch	300	~277	~79	58	94,1	~89	38	3,57



Description:

The ball valve is used to control the fluid flow in piping.

The microswitch can be set to send a signal when the valve is either open or closed.

General	Body material	Stainless steel
	Sealing material	Buna-N and POM-MoS ₂
	Connections	Cutting ring DIN2353
	Max. working pressure	200 bar
	Valve manufacturer	MHA Zentgraf
	Microswitch manufacturer	Omron

For further information, see the manufacturer's sites www.omron.com and www.mha-zentgraf.com.