

Water stand-by pressure 25 bar  
Inlet DIN2353; 8-S

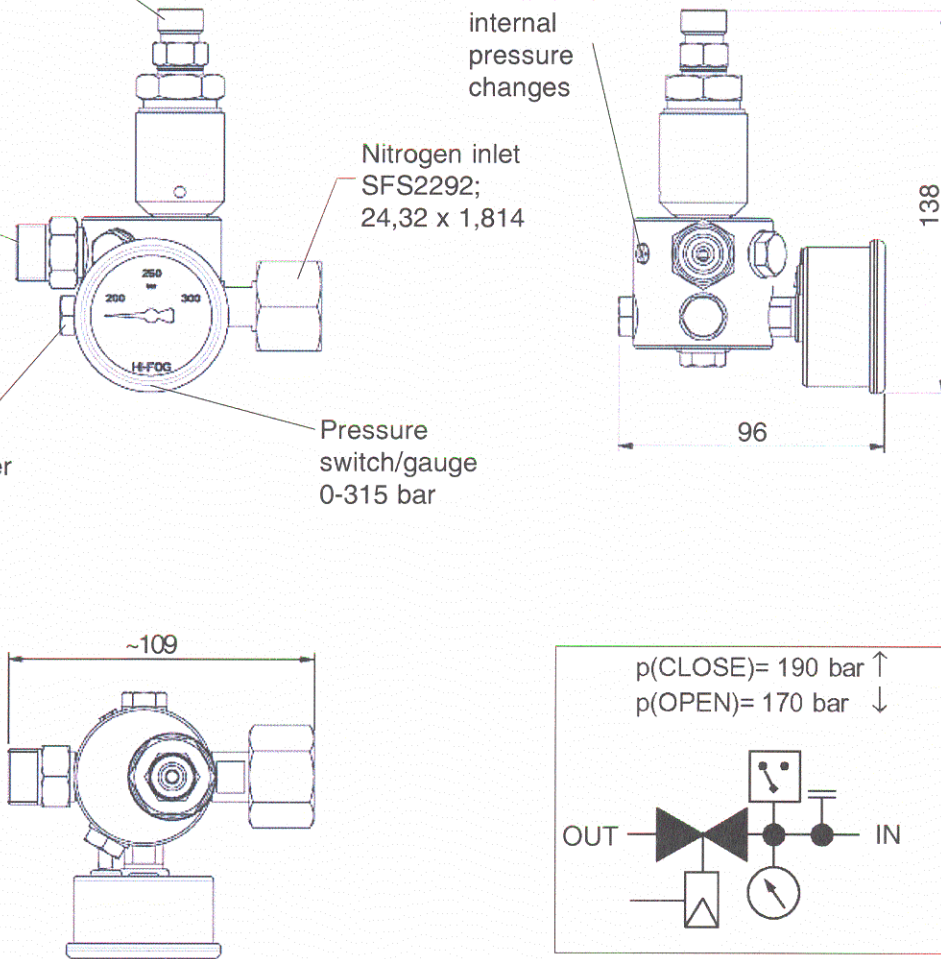
Nitrogen outlet DIN 2353-12S

Burst disk located under plug. Marioff stock code D52005

Nitrogen inlet SFS2292; 24,32 x 1,814

Pressure switch/gauge 0-315 bar

Breather for internal pressure changes



<b>General</b>	Body material	Brass, nickel plated
	Electric voltage	Pressure switch 24 V DC
	Max. working pressure	200 bar
<b>Operation</b>	<p>The hydraulic release valve is normally connected directly or via an adapter to an air or nitrogen cylinder. It is used to release the contents of the cylinder into a GPU, a water accumulator unit (MAU, DAU, KAU, ...) or an MT3 system or equivalent.</p> <p>The hydraulic release valve is released when the water pressure decreases from the stand-by pressure. With 200 bar nominal cylinder pressure the hydraulic release valve is activated when the stand-by pressure drops to 15 bar. Once released, the valve remains open as long as the valve is pressurised.</p> <p>To monitor the gas cylinder pressure, the valve is equipped with a pressure gauge and a pressure switch.</p>	