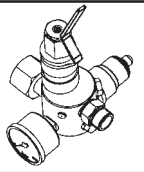




HI-FOG®

Technical Data Sheet TD7047

Pneumatic Actuator Valve with manual release



Stock code D21050

TA

05 Oct 2004

Manual release

Release pressure to the valve
R 1/4"

Pressure gauge

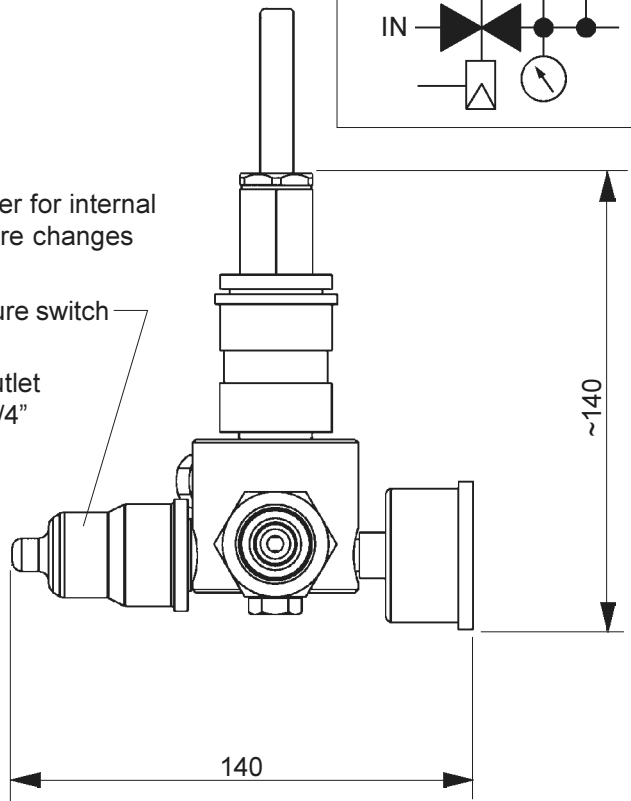
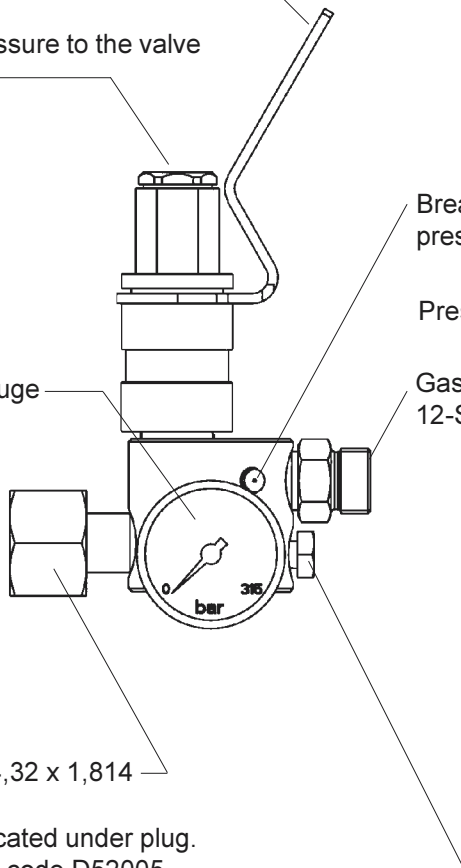
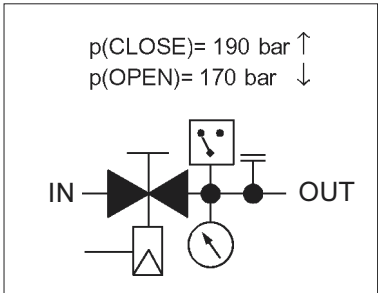
Breather for internal
pressure changes

Pressure switch

Gas outlet
12-S 1/4"

Gas inlet
SFS 2292 24,32 x 1,814

Burst disk located under plug.
Marioff stock code D52005



General	Body material	Brass, nickel plated
	Max. working pressure	200 bar
Operation	<p>The valve is normally connected directly or via an adapter to an air or nitrogen cylinder. It is used to release the contents of the cylinder into a GPU, a water accumulator unit (MAU, DAU, KAU, ...) or an MT3 system or equivalent. Pneumatic actuator valve is released either by the release pressure or manually to allow the gas flow to the piping system.</p> <p>To monitor the gas cylinder pressure, the valve is equipped with a pressure gauge and a pressure switch.</p> <p>Once released, the valve remains open as long as the valve is pressurised.</p>	

Marioff Marioff Corporation Oy, P.O. Box 86, Virnatie 3, FIN-01301 Vantaa, Finland, tel +358 9 870 851, fax +358 9 8708 5399, e-mail info@marioff.fi, www.hi-fog.com

Marioff Corporation Oy reserves the right to revise and improve its products and recommended system configurations as it deems necessary without notification. The information contained herein is intended to describe the state of HI-FOG products and system configurations at the time of its publication and may not reflect the product and/or system configurations at all times in the future.