

# Kidde Engineered Fire Suppression System

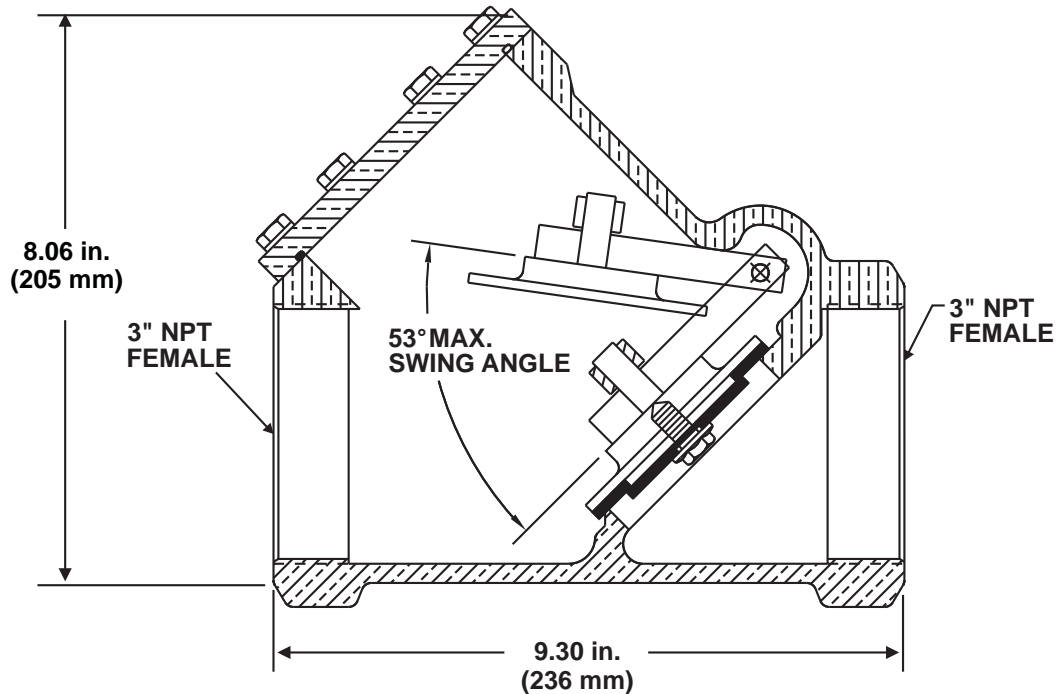
Designed for use with 3M™ Novec™ 1230 Fire Protection Fluid



Effective: June 2015  
K-45-9040

## 3-inch Swing Check Valve

P/N: 06-118058-001



**Note:** The valve must be installed with the arrow pointing in the direction of flow.

### MATERIALS

- Valve Body and Cover: Brass
- Hex Bolts, Hinge, and Hinge Pin: Stainless Steel

### APPROVALS

- UL Listed, ULC Listed, and FM Approved for use with Novec 1230 Systems

Kidde is a registered trademark of Kidde-Fenwal, Inc.  
3M and Novec are trademarks of 3M.  
All other trademarks are property of their respective owners.

This literature is provided for informational purposes only. KIDDE-FENWAL, INC. assumes no responsibility for the product's suitability for a particular application. The product must be properly applied to work correctly.  
If you need more information on this product, or if you have a particular question, contact KIDDE-FENWAL, INC., Ashland, MA 01721. Telephone: (508) 881-2000.

Kidde Fire Systems  
400 Main Street  
Ashland, MA 01721  
Ph: 508.881.2000  
Fax: 508.881.8920

[www.kiddefiresystems.com](http://www.kiddefiresystems.com)