

3-inch Flexible Discharge Hose Data Sheet

FEATURES

- **Stainless Steel Braided**
- **Grooved Fittings**
- **UL Listed, ULC Listed, and FM Approved for use with the systems listed in the Table , “COMPATIBILITY,” on page 2**

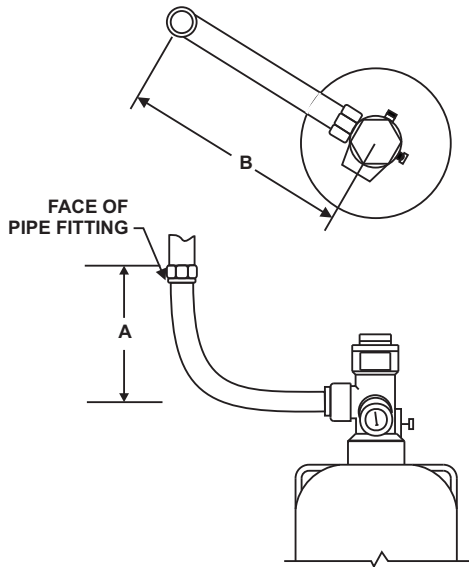
P/N: 06-118225-001

DESCRIPTION

Stainless Steel flexible hose is used to connect the 3-inch valve cylinders (the 600 lb., 900 lb. and 1100 lb. ECS 500 psi cylinders only) to discharge piping. The hose has a grooved fitting at the cylinder end and a 3-inch male groove fitting to connect to the piping.

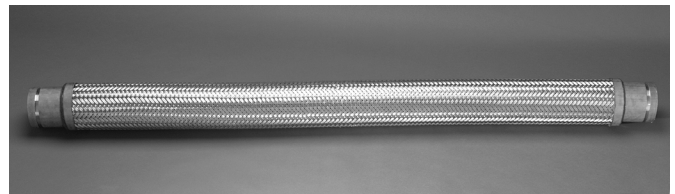
INSTALLATION

The stainless steel flexible braided hose may be installed horizontally or with a 90 degree bend radius as shown in the diagram below.



Dimensions	
A	B
33 in. (838 mm)	36 in. (914 mm)

Note: Dimensions A and B must be maintained in order to obtain a smooth radius in flexible loop. Hose may require adapter to connect to system piping.



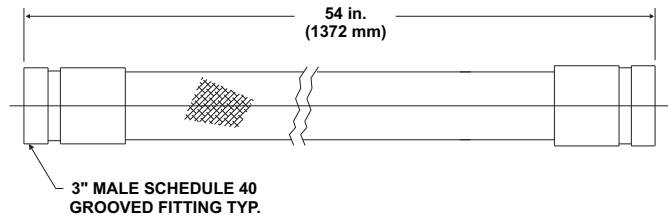
ORDERING INFORMATION

The part number for ordering the 3-inch flexible discharge hose is 06-118225-001.

SPECIFICATION

Material:	Convuluted hose with stainless steel braid overlay
Working pressure:	500 PSI (3.4 MPa)
Proof pressure:	1000 PSI (6.9 MPa)
Burst pressure:	2000 PSI (13.8 MPa)

DIMENSIONS



COMPATIBILITY

Series	DIOM P/N
Kidde ECS 500 psi with FK-5-1-12 Agent	06-237585-001
Kidde ECS with 3M™ Novec™ 1230 Fire Protection Fluid	06-236553-001
Kidde ADS with 3M™ Novec™ 1230 Fire Protection Fluid	06-237256-001
Kidde Marine with 3M™ Novec™ 1230 Fire Protection Fluid	06-236559-001
Kidde ADS Marine with 3M™ Novec™ 1230 Fire Protection Fluid	06-237257-001
Kidde ECS with HFC-227ea Agent	06-236115-001
Kidde ECS Marine with HFC-227ea Agent	06-236225-001
Kidde ADS with HFC-227ea Agent	06-236068-001
Kidde ADS Marine with HFC-227ea Agent	06-236595-001
Kidde 3M™Novec™ 1230 (for UTC India Specifications)	06-237127-600

EXPORT INFORMATION (USA)

Jurisdiction: EAR

Classification: EAR99

This document contains technical data subject to the EAR.

All trademarks are the property of their respective owners.

This literature is provided for informational purposes only. KIDDE-FENWAL, INC. believes this data to be accurate, but it is published and presented without any guarantee or warranty whatsoever. KIDDE-FENWAL, INC. assumes no responsibility for the product's suitability for a particular application. The product must be properly applied to work correctly. If you need more information on this product, or if you have a particular problem or question, contact KIDDE-FENWAL, INC., Ashland, MA 01721 USA. Telephone: (508) 881-2000.



K-85-0517 Rev AA
©2018 Kidde-Fenwal, Inc.

Kidde Fire Systems
400 Main Street
Ashland, MA 01721 USA
Ph: 508.881.2000
Fax: 508.881.8920
www.kiddefiresystems.com