

Kidde ECS 500 psi with FK-5-1-12 Fire Protection Fluid



Effective: January 2018
K-45-0505 Rev AA

Cylinder and Valve Assemblies, 600 lb. Capacity Cylinder Data Sheet

FEATURES

- UL Listed, ULC Listed, and FM Approved for use with Kidde ECS 500 psi Systems.

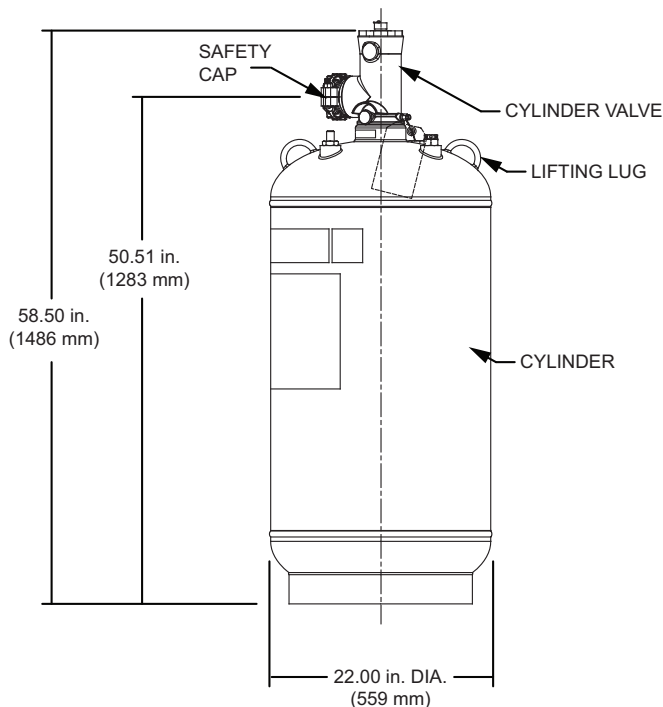
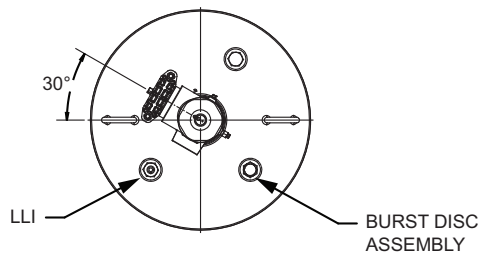
P/N: 45-550601-001

ORDER INFORMATION

Part Number	Description
45-550601-001	600 lb. Capacity Cylinder with Liquid Level Indicator

MATERIALS

Valve Body: Brass
Cylinder: Steel, Painted Red



Note:

1. The safety cap must be installed on the valve outlet at all times, except when the cylinders are connected to the system piping, or being filled. The safety cap must not be removed from its chain.
2. See K-45-0513 for additional information.

EXPORT INFORMATION (USA)

Jurisdiction: EAR
Classification: EAR99
This document contains technical data subject to the EAR.
All trademarks are the property of their respective owners.
©2018 Kidde-Fenwal, Inc.

This literature is provided for informational purposes only. KIDDE-FENWAL, INC. believes this data to be accurate, but it is published and presented without any guarantee or warranty whatsoever. KIDDE-FENWAL, INC. assumes no responsibility for the product's suitability for a particular application. The fire suppression system design, installation, maintenance, service and troubleshooting must be performed by trained, authorized Kidde Fire Systems distributors for the product to work correctly. If you need more information on this product, or if you have a particular problem or question, contact KIDDE-FENWAL, INC., Ashland, MA 01721 USA. Telephone: (508) 881-2000.

Kidde Fire Systems
400 Main Street
Ashland, MA 01721
Ph: 508.881.2000
Fax: 508.881.8920
www.kiddefiresystems.com