

Component Description

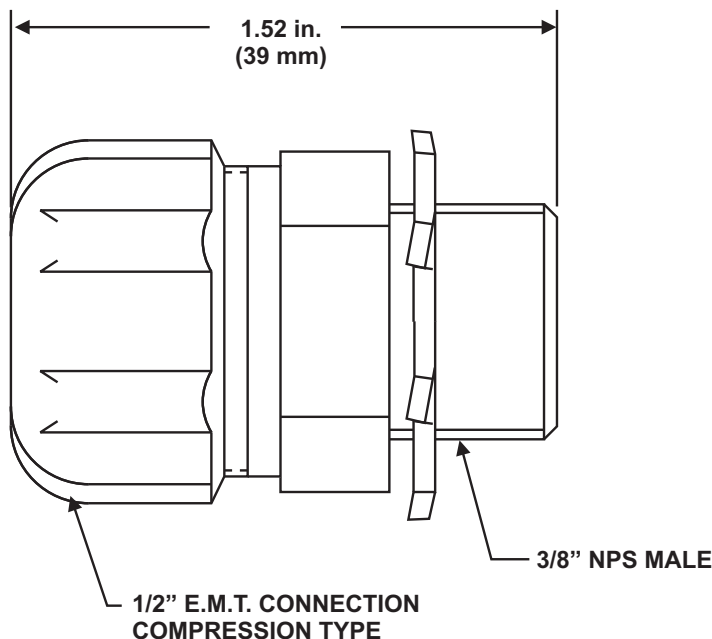
Adapter, 3/8 in. Pipe (Male) to 1/2 in. E.M.T. Female

Effective: January 2018
K-45-6120 Rev AD

FEATURES

- UL Listed, ULC Listed, and FM Approved for use with systems listed in the Table , “COMPATIBILITY,”.

P/N: WK-843837-000



MATERIALS

- Zinc Plated Steel

COMPATIBILITY

Series	DIOM P/N
Kidde ECS 500 psi with FK-5-1-12 Agent	06-237585-001
Kidde ECS with 3M™ Novec™ 1230 Fire Protection Fluid	06-236553-001
Kidde Marine with 3M™ Novec™ 1230 Fire Protection Fluid	06-236559-001

Kidde is a registered trademark of Kidde-Fenwal, Inc.
3M and Novec are trademarks of 3M.
All other trademarks are property of their respective owners.

This literature is provided for informational purposes only. KIDDE-FENWAL, INC. believes this data to be accurate, but it is published and presented without any guarantee or warranty whatsoever. KIDDE-FENWAL, INC. assumes no responsibility for the product's suitability for a particular application. The fire suppression system design, installation, maintenance, service and troubleshooting must be performed by trained, authorized Kidde Fire Systems distributors for the product to work correctly. If you need more information on this product, or if you have a particular problem or question, contact KIDDE-FENWAL, INC., Ashland, MA 01721 USA.
Telephone: (508) 881-2000.

EXPORT INFORMATION (USA)

Jurisdiction: EAR
Classification: EAR99
This document contains technical data subject to the EAR.
All trademarks are the property of their respective owners.
©2018 Kidde-Fenwal, Inc.

Kidde Fire Systems
400 Main Street
Ashland, MA 01721
Ph: 508.881.2000
Fax: 508.881.8920
www.kiddefiresystems.com