

Electric Control Head Kit with Control Head Monitor Data Sheet

FEATURES

- UL Listed, ULC Listed, and FM Approved for use with systems listed below in the Table, "COMPATIBILITY", on page 2.

P/N: 85-890181-000

ORDER INFORMATION

Part Number	Description
85-890181-000	Kit, Includes: <ul style="list-style-type: none"> • Electrical Control Head, 24 VDC, P/N WK-890181-000 • Control Head Monitor, P/N 85-100000-100 (for more information, see data sheet K-85-3000)

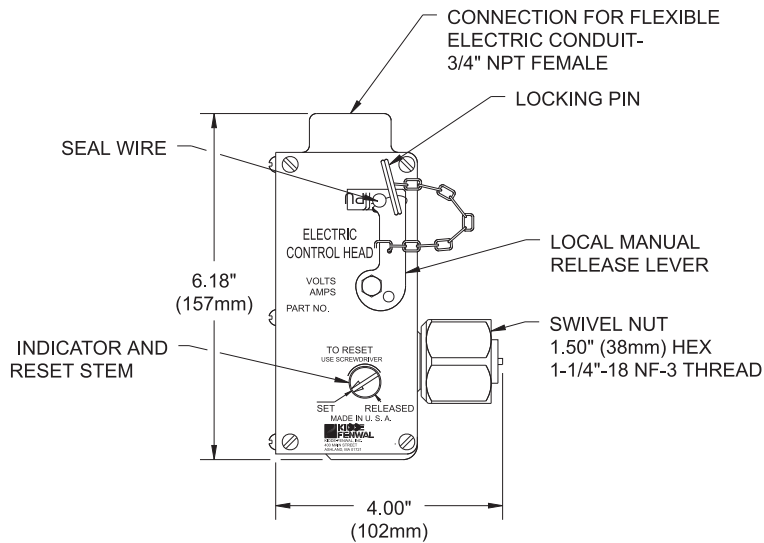


Figure 1. Electric Control Head

MATERIAL

Body: Brass

SPECIFICATIONS

Voltage: 24 VDC

Current: 2.0A

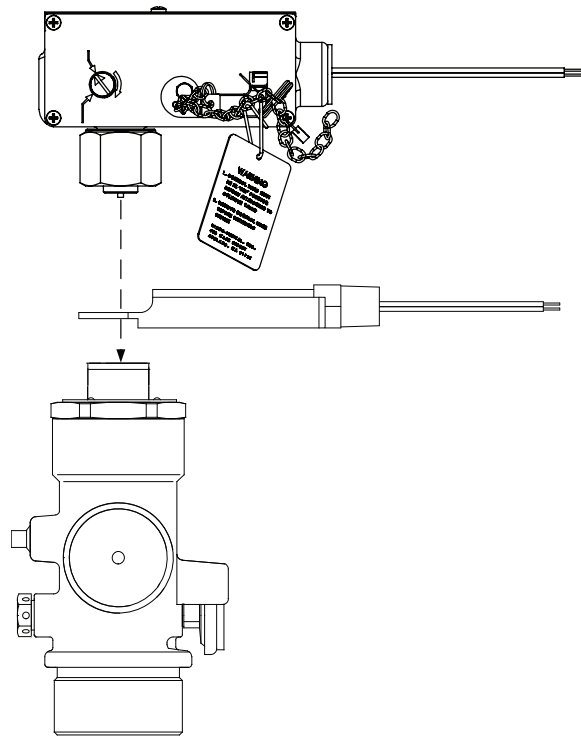


Figure 2. Electric Control Head and Control Head Monitor

COMPATIBILITY

Series	DIOM P/N	Supplement P/N
Kidde ECS 500 psi with FK-5-1-12 Agent	06-237585-001	N/A
Kidde ECS with 3M™ Novec™ 1230 Fire Protection Fluid	06-236553-001	N/A
Kidde ADS with 3M™ Novec™ 1230 Fire Protection Fluid	06-237256-001	N/A
Kidde ECS with HFC-227ea Agent	06-236115-001	06-236115-003
Kidde Modular ECS with HFC-227ea Agent	06-236116-001	06-236116-002
Kidde ADS with HFC-227ea Agent	06-236068-001	06-236068-003
Kidde FE-13™ Engineered Suppression System	06-236169-002	06-236169-003
Kidde FE-13™ Modular Engineered Suppression System	06-236193-001	06-236193-002
Kidde 3M™ Novec™ 1230 (for UTC India Specifications)	06-237127-600	06-237127-601
Kidde ECS with FM-200™ (for UTC India Specifications)	06-237298-001	06-237298-002

Note: Agency listings also apply to the Fenwal Engineered Fire Suppression Systems, when the Control Head Monitor is used on these legacy product lines.

EXPORT INFORMATION (USA)

Jurisdiction: EAR

Classification: EAR99

This document contains technical data subject to the EAR.

All trademarks are the property of their respective owners.

This literature is provided for informational purposes only. KIDDE-FENWAL, INC. believes this data to be accurate, but it is published and presented without any guarantee or warranty whatsoever. KIDDE-FENWAL, INC. assumes no responsibility for the product's suitability for a particular application. The fire suppression system design, installation, maintenance, service and troubleshooting must be performed by trained, authorized Kidde Fire Systems distributors for the product to work correctly. If you need more information on this product, or if you have a particular problem or question, contact: KIDDE-FENWAL, INC., Ashland, MA 01721 USA, Telephone: (508) 881-2000.